

HP Unified
Cluster
Platform
3000

Planning
Template:
-Single Rack
-Gigabit Ethernet
-Xeon EM64T

HP Cluster Platform 3000, Single Cabinet, Gigabit Ethernet, 32x ProLiant Xeon EM64T Nodes

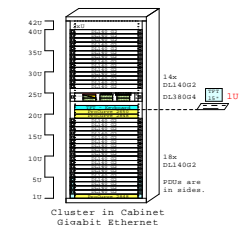
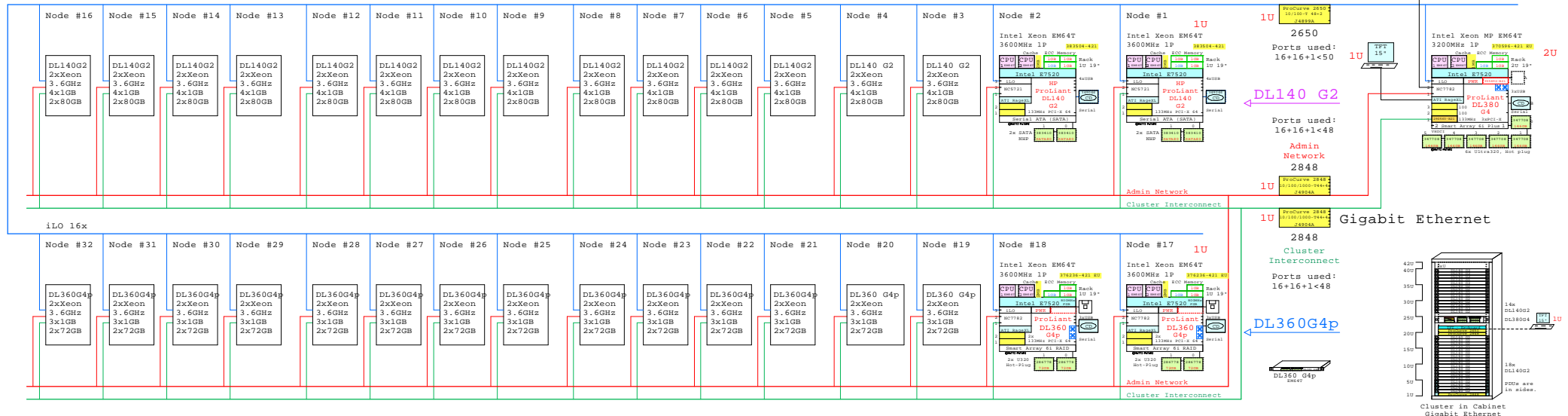
-DL140 G2 3600MHz, SATA disks
-DL360 G4p 3600MHz, SCSI disks

#1 Single Cabinet, max 32 nodes

Compute Nodes: Intel Xeon EM64T

Console Network

Control Node:



BOM for one Compute Node DL140 G2 SATA Disks

Part Number	Qty	Description
383504-421	1	DL140 G2 1P 3600MHz-2M 1GB SATA 80GB EM64T
343055-821	3	1GB PC2 FC3200 DDR2 SDRAM kit(2x512MB)
149046-821	2	2x 24x CD-ROM Optical Slim Line
178281-821	1	Intel Xeon 3600MHz-2M EM64T Processor kit
383410-821	1	80GB SATA NHP 7200r disk 1"

BOM for one Compute Node DL360 G4p SCSI Disks

Part Number	Qty	Description
376236-421	1	DL360 G4p 1P 3600MHz-2MB 1GB SCSI EM64T
286778-822	2	72.8GB 15000r U320 disk 1"
343055-821	2	1GB PC2 FC3200 DDR2 SDRAM kit(2x512MB)
178281-821	1	Intel Xeon 3600MHz-2M EM64T Processor kit

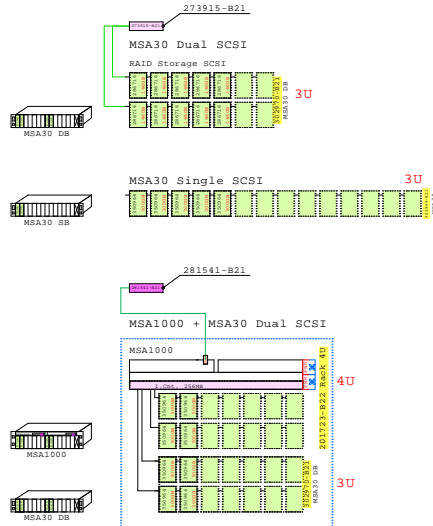
BOM for the Control Node DL380 G4 and Switches

Part Number	Qty	Description
370596-421	1	DL380 G4 1P 3200MHz-1MB 1GB EM64T 2U
290563-821	1	NC7771 PCI-X 10/100/1000-T Server Adapter
293048-821	1	DL380 G3 Hot Plug Blower kit, 3x Fans
343055-821	2	1GB PC2 FC3200 DDR2 SDRAM kit(2x512MB)
347708-821	6	146.8GB 15000r U320 disk 1"
35892-821	1	DL380 G4 second AC power supply
374492-821	1	Intel Xeon 3200MHz 1MB EM64T proc. kit
2	1	ProCurve 2650 10/100-T 48+2=50 Port 1U
44904A	2	ProCurve 2848 10/100/1000-T 44+4=48 Port

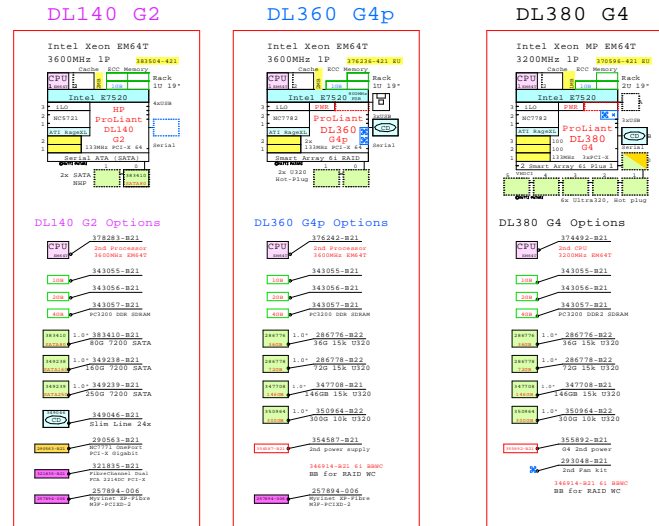
BOM for Optional Storage

Part Number	Qty	Description
201723-822	1	MSA1000 RAID Array 256MB Rack 4U
302970-821	1	MSA30 Dual Buss Ultra320 7+7 1"
1.1.1	4	3000B 10000r U320 disk 1"
1.2	4	3000B 10000r U320 disk 1"
2	1	MSA30 Single Buss Ultra320 14x1"
2.1	5	3000B 10000r U320 disk 1"
3	1	MSA30 Dual Buss Ultra320 7+7 1"
3.1	10	146.8GB 10000r U320 disk 1"
4	1	Smart Array 6402/128 Ultra320 2-chan
5	1	HBA 2Gb/s PCI PCA2214 for Linux

Optional Storage



Compute Nodes



Control Node

For Golden Eggs:
<http://www.LinuxHPC.org>

When this diagram has supported your planning process, please let me know. All feedback is also appreciated. Matti.Patari@Lumibus.fi GE-Architect.

When you need a customized PDF diagram from this template, please let me know your "wish list".

Date: 18-Jun-2005

©2005 Matti Patari, All rights reserved.
GOLDEN EGGS 18-Jun-2005 CP3000GigE32
Matti.Patari@Lumibus.fi

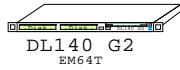
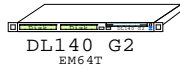
HP Cluster Platform 3000 EM64T
GOLDEN EGGS Visuals, Helsinki

For more detailed configuring, please consult the latest HP QuickSpecs.

Global Golden Eggs Visuals: <http://www.LinuxHPC.org>

All trademarks in this document are those of their owners.

CP3000GigE32



Compute Nodes: Intel Xeon EM64T

Console Network

Control Node:

Node #4

Node #3

Node #2

Node #1

1U

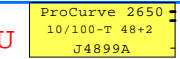
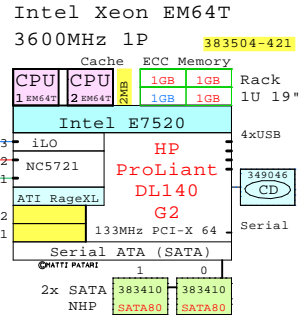
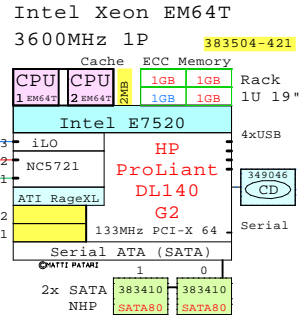
1U

1U

2U

DL140 G2
2xXeon
3.6GHz
4x1GB
2x80GB

DL140 G2
2xXeon
3.6GHz
4x1GB
2x80GB

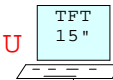
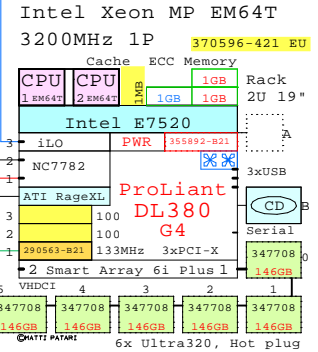
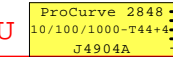


DL140 G2

Ports used:
16+16+1<48

Admin Network
2848

1U



Gigabit Ethernet

Node #20

Node #19

Node #18

Node #17

1U

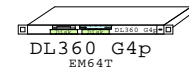
1U

2848

Cluster Interconnect

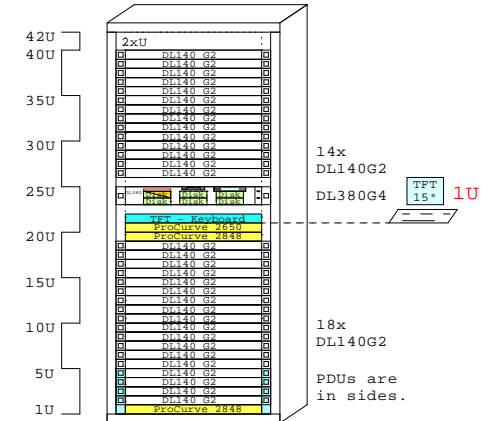
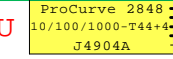
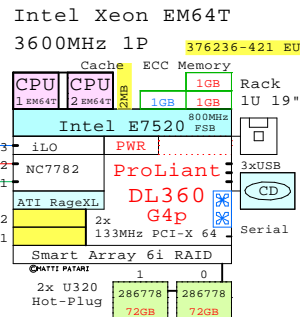
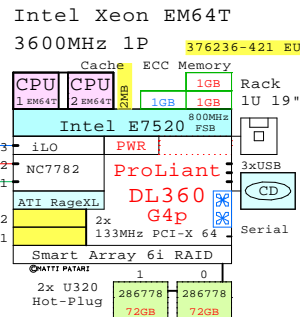
Ports used:
16+16+1<48

DL360 G4p



DL360 G4p
2xXeon
3.6GHz
3x1GB
2x72GB

DL360 G4p
2xXeon
3.6GHz
3x1GB
2x72GB



Cluster in Cabinet
Gigabit Ethernet

BOM for one Compute Node DL140 G2 SATA Disks

Part Number	Qty	Description
1	383504-421	1 DL140 G2 1P 3600MHz-2M 1GB SATA 80GB EM6
1.1	343055-B21	3 1GB PC2 PC3200 DDR2 SDRAM kit(2x512MB)
1.2	349046-B21	1 24x CD-ROM Option Slim line
1.3	378283-B21	1 Intel Xeon 3600MHz-2M EM64T processor ki
1.4	383410-B21	1 80GB SATA NHP 7200r disk 1"

BOM for one Compute Node DL360 G4p SCSI Disks

Part Number	Qty	Description
1	376236-421	1 DL360 G4p 1P 3600MHz-2MB 1GB SCSI EM64T
1.1	286778-B22	2 72.8GB 15000r U320 disk 1"
1.2	343055-B21	2 1GB PC2 PC3200 DDR2 SDRAM kit(2x512MB)
1.3	376242-B21	1 Xeon 3600MHz-2MB EM64T proc.DL360G4p kit

BOM for the Controll Node DL380 G4 and Switches

Part Number	Qty	Description
1	370596-421	1 DL380 G4 1P 3200MHz-1MB 1GB EM64T 2U
1.1	290563-B21	1 NC7771 PCI-X 10/100/1000-T Server Adapte
1.2	293048-B21	1 DL380 G3 hot plug blower kit,3x fans
1.3	343055-B21	2 1GB PC2 PC3200 DDR2 SDRAM kit(2x512MB)
1.4	347708-B21	6 146.8GB 15000r U320 disk 1"
1.5	355892-B21	1 DL380 G4 second AC power supply
1.6	374492-B21	1 Intel Xeon 3200MHz 1MB EM64T proc. kit
2	J4899A	1 ProCurve 2650 10/100-T 48+2=50 Port 1U
3	J4904A	2 ProCurve 2848 10/100/1000-T 44+4=48 Port

BOM for Optional Storage

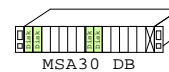
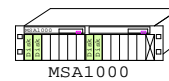
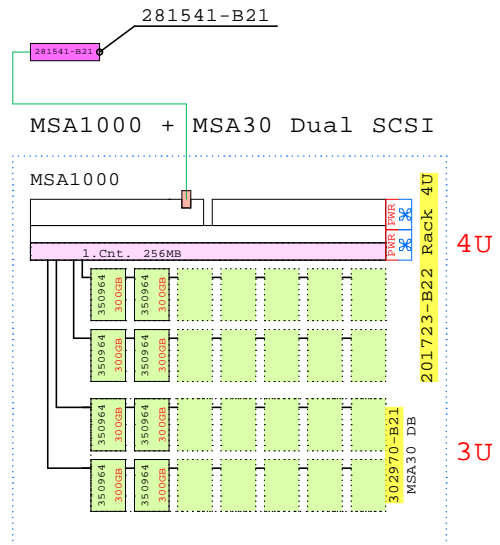
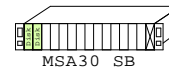
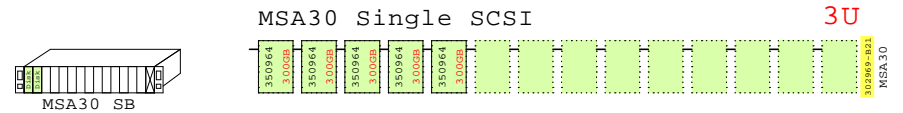
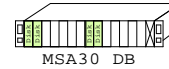
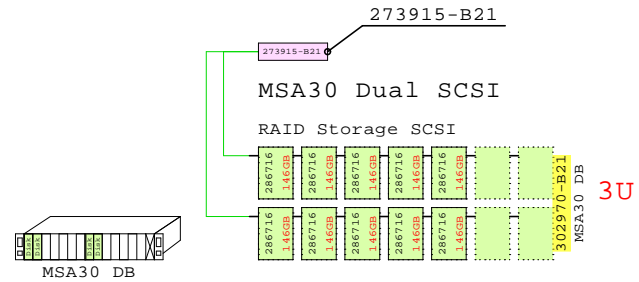
Part Number	Qty	Description
1	201723-B22	1 MSA1000 RAID Array 256MB Rack 4U
1.1	302970-B21	1 MSA30 Dual Buss Ultra320 7+7 1"
1.1.1	350964-B22	4 300GB 10000r U320 disk 1"
1.2	350964-B22	4 300GB 10000r U320 disk 1"
2	302969-B21	1 MSA30 Single Buss Ultra320 14x1"
2.1	350964-B22	5 300GB 10000r U320 disk 1"
3	302970-B21	1 MSA30 Dual Buss Ultra320 7+7 1"
3.1	286716-B22	10 146.8GB 10000r U320 disk 1"
4	273915-B21	1 Smart Array 6402/128 Ultra320 2-chan
5	281541-B21	1 HBA 2Gb/s PCI FCA2214 for Linux

HP and the HP logo are registered trademarks of Hewlett-Packard Development Company, L.P. All other trademarks are the property of their respective owners.

For more detailed configuring, please consult the latest HP QuickSpecs.

Global Golden Eggs Visuals: <http://www.LinuxHPC.org>

Optional Storage



All trademarks in this document are those

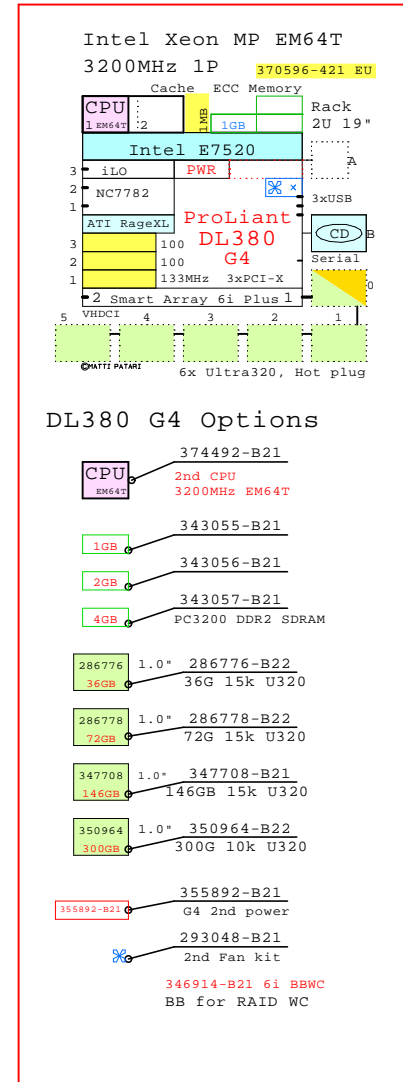
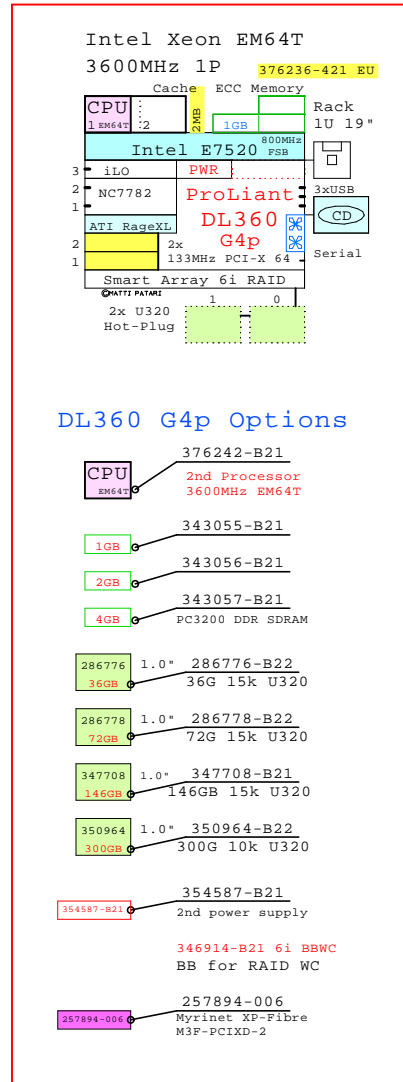
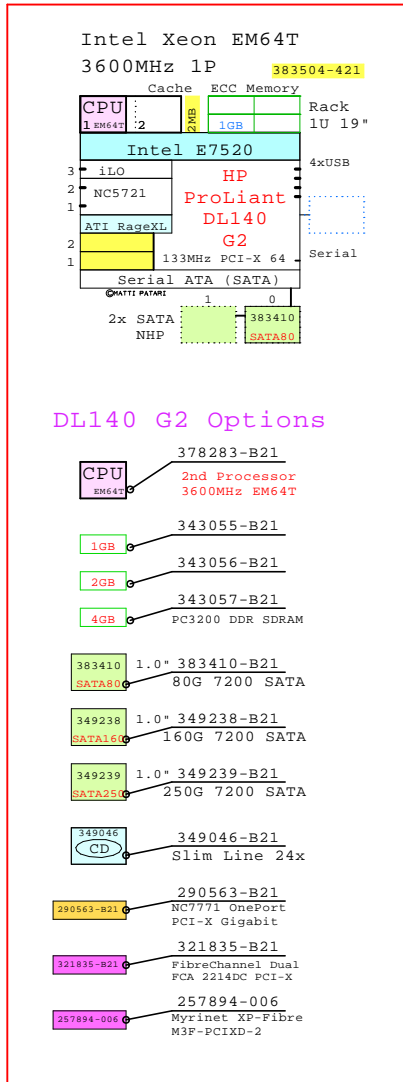
Compute Nodes

Control Node

DL140 G2

DL360 G4p

DL380 G4



Best value.

Best performance.

For Golden Eggs:
<http://www.LinuxHPC.org>

When this diagram has supported your planning process, please let me know. All feedback is also appreciated. Matti.Patari@Kolumbus.fi GE-Architect.

When you need a customized PDF diagram from this template, please let me know your "wish list".

Date: 18-Jun-2005

© 2005 Matti Patari, All rights reserved.

GOLDEN EGGS Visuals™ Helsinki	18-Jun-2005	CP3000GigE32
Matti.Patari@Kolumbus.fi		

HP Cluster Palatform 3000 EM64T
GOLDEN EGGS Visuals, Helsinki

eir owners.

CP3000GigE32