

# AlphaServer GS1280 M32 System, EV7/1300, 64bits

Systems & Options

- 1 Select M32 System Cabinet  
 DA-1280A-CC Tru64 UNIX  
 DY-1280A-CC OpenVMS

- 3 Select memory for CPU BB  
 RAID is Optional  
 1GB 3X-MS7AC-BA 3X-MS7AC-BC  
 2GB 3X-MS7AC-CA 3X-MS7AC-CC  
 4GB 3X-MS7AC-DA 3X-MS7AC-DC

- 2 Select CPU Building Blocks @1300MHz  
 CPU BB 3X-KN72D-AC  
 Memory 3X-KN72D-AC  
 CPU 300MHz Cache 1.7MB  
 CPU 1300MHz Cache 1.7MB OpenVMS

Building Blocks @1150MHz  
 3X-KN72C-AB Tru64  
 3X-KN72C-AC OVMS

- 4 Select one Master I/O Drawer

- 5 System Disk 1-2

- 6 Ethernet and other PCI-X options

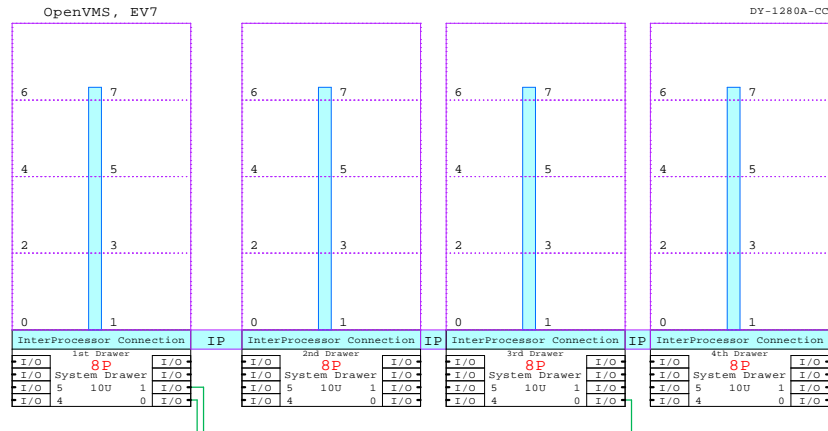
- 3X-DE602-BB 2x Ethernet
- 3X-DEGXA-TB UTP/RJ45 GigE PCI-X
- 3X-KZPCA-AA 1-port Ultra2 SCSI LVD
- 3X-KZPEA-DB 2-port Ultra3 SCSI LVD2
- 3X-KZPDC-BE RAID 2-ch U160 66MHz
- DS-KGPSA-EA Fibre Ch 2Gbit/s
- 3X-PBXGG-AA ATI RADEON 7500

- North America/Japan  
 3X-H7606-AA PDU 120/208V NEMA  
 3X-H7606-BA PDU 120/208V NEMA  
 3X-H7606-CA PDU 120/208V NEMA  
 3X-H7606-BA PDU 120/208V NEMA

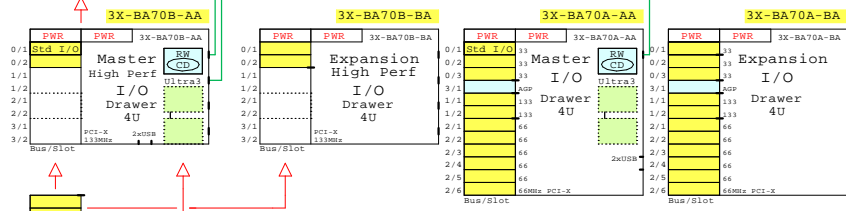
- International  
 3X-H7606-AB PDU 380/415V IEC309  
 3X-H7606-BA PDU 380/415V IEC309  
 3X-H7606-BB PDU 380/415V IEC309  
 3X-H7606-BB PDU 380/415V IEC309

- 7 Select PDUs Two + Two 120V or 240V

## AlphaServer GS1280 Model 32



8xPCI-X per Four I/O      10xPCI-X per One I/O

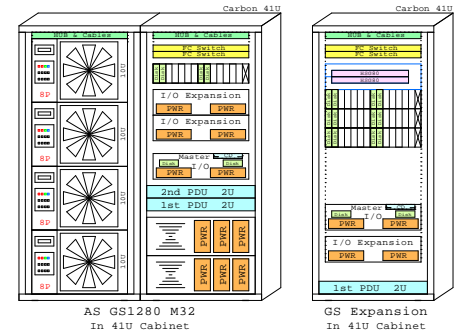
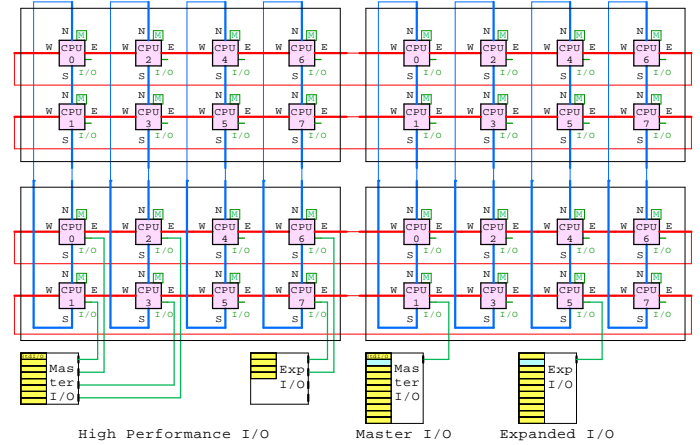


3X-KFMHA-AA Add-in Two PCI-X 133MHz

- A3849 3R-A3849-AA 36G 15K U320
- A3851 3R-A3851-AA 72G 15K U320
- A3841 3R-A3841-AA 146G 10K U320
- A4952 3R-A4952-AA 300G 10K U320

One I/O cable per I/O connection  
 3X-BNPSA-04 I/O exp.cable 3.3m  
 3X-BNPSA-04 I/O exp.cable 4.5m  
 3X-BNPSA-06 I/O exp.cable 6.0m

## Model 32 InterProcessor Connection



GEAGS1280M32a  
 Date: 31-Jan-2005

GOLDEN EGGS Visuals Helsinki 31-Jan-2005 GEAGS1280M32a  
 Golden Eggs Visuals Helsinki Matti.Patari@kolumbus.fi

GS1280 M32

AlphaServer GS1280 M32 1300MHz  
 GOLDEN EGGS Visuals, Helsinki