

# AlphaServer GS1280 M64 System, EV7/1300MHz, 64bits

## Systems & Options

- 1 Select M64 System Cabinet
- DA-1280A-BD Tru64 UNIX
  - DY-1280A-BD OpenVMS

- 3 Select memory for CPU BB
- 3X-MSTAC-BA
  - 3X-MSTAC-BC
  - 3X-MSTAC-CA
  - 3X-MSTAC-CC
  - 3X-MSTAC-DA
  - 3X-MSTAC-DC
- RAID is Optional

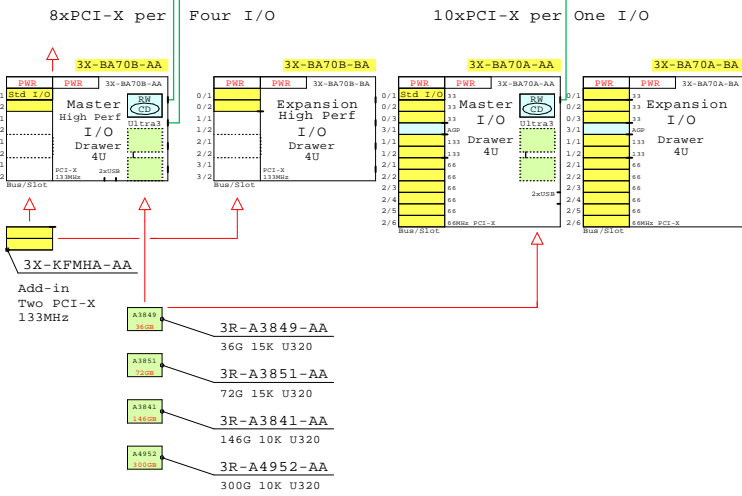
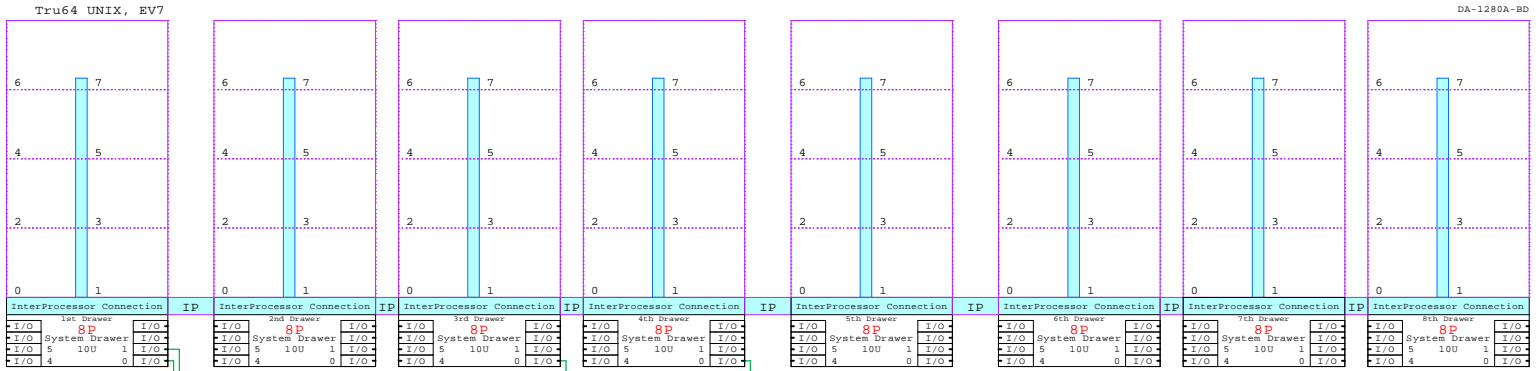
- 2 Select CPU Building Blocks @1300MHz
- 3X-KN72D-AB Tru64
  - 3X-KN72D-AC OVMS
- Building Blocks @1150MHz
- 3X-KN72C-AB Tru64
  - 3X-KN72C-AC OVMS

- 4 Select one Master I/O Drawer
- 5 System Disk 1-2

- 6 Ethernet and other PCI-X options
- 3X-DE602-BB 2x Ethernet
  - 3X-DEGXA-TB CPU/A245 Gigabit PCI-X
  - 3X-KZPCA-AA 1-port Ultra3 SCSI LV2D
  - 3X-KZPEA-DB 2-port Ultra3 SCSI LV2D
  - 3X-KZPDC-BE RAID 2-ch Ultra3 SCSI
  - DS-KGPSA-EA Fibre Ch 2Gbit/s
  - 3X-PBXGG-AA ATX Radeon 750D

- 7 Select PDUs Two + Two 120V or 240V
- International
- 3X-H7606-AB PDU 380/415V IEC309
  - 3X-H7606-AB PDU 380/415V IEC309
  - 3X-H7606-BB PDU 380/415V IEC309
  - 3X-H7606-BB PDU 380/415V IEC309
- North America/Japan
- 3X-H7606-AA PDU 120/208V NEMA
  - 3X-H7606-AA PDU 120/208V NEMA
  - 3X-H7606-BA PDU 120/208V NEMA
  - 3X-H7606-BA PDU 120/208V NEMA

## AlphaServer GS1280 Model 64



## Model 64 InterProcessor Connection

