

Internal Options:

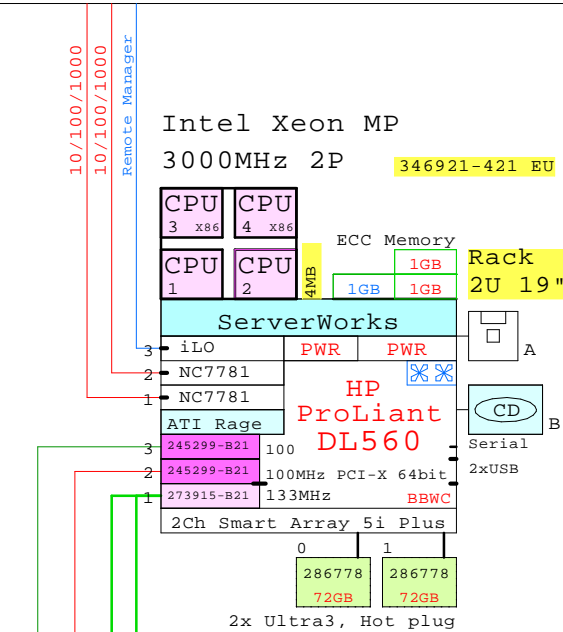
- CPU** x86 346990-B21
3rd,4th CPU
3000MHz 4MB
- 512MB 300678-B21
- 1GB 300679-B21
- 2GB 300680-B21
- 4GB 300682-B21
PC2100 DDR SDRAM kit

For 1P system only:

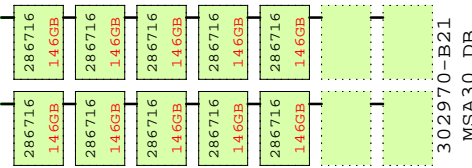
- 288635-B21 Fan kit
- 267555-001 2nd power for 1P
- 255514-B21 5i BBWC BB for WC

- 286776 1.0" 286776-B22
36GB 36G 15k U320
- 286778 1.0" 286778-B22
72GB 72G 15k U320
- 286716 1.0" 286716-B22
146GB 146G 10k U320
- 350964 1.0" 350964-B22
300GB 300G 10k U320
- 215487 215487-B21
AIT 50G

- 290563-B21 290563-B21
NC7771 OnePort
PCI-X Gigabit
- 313881-B21 313881-B21
NC7170 DualPort
PCI-X Gigabit
- 273915-B21 273915-B21
Smart Array
6402/128 2-Ch
- 273914-B21 273914-B21
Smart Array
6404/256 4-Ch
- 245299-B21 245299-B21
FibreChannel HBA
2Gb/s FCA2101



RAID Storage



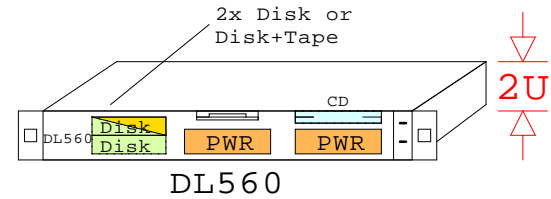
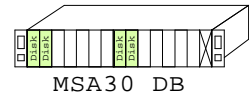
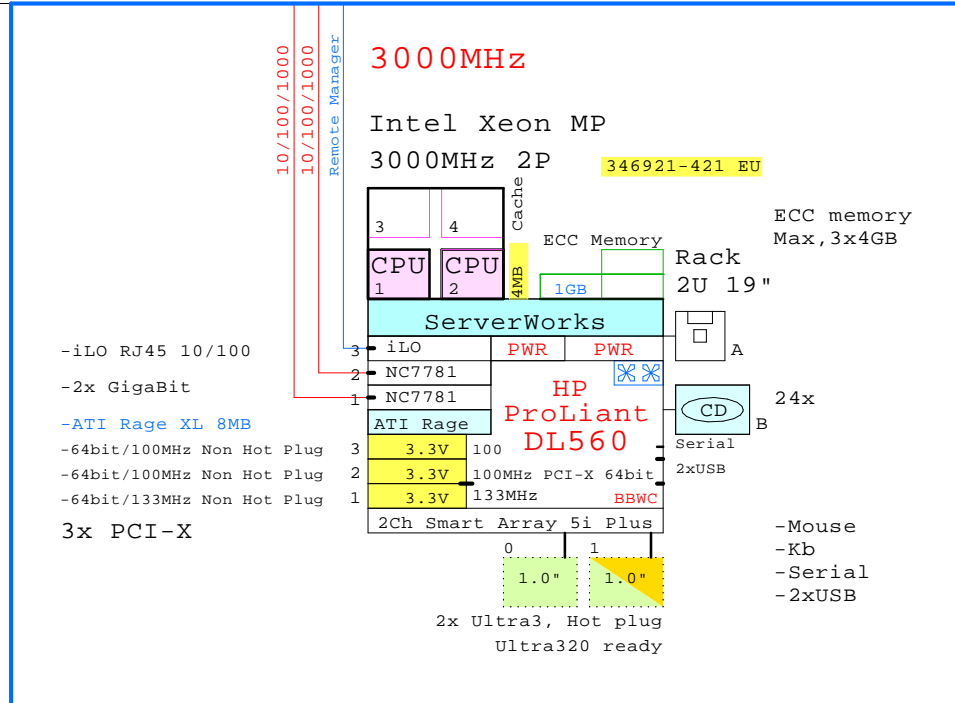
To Fibre Channel Storage 2Gb/s

BOM of the 3000MHz-4MB 1GB 2P system above

Part Number	Qty	Description
1	346921-421	1 DL560 2P 3000MHz 4MB 1GB 2U rack
1.1	245299-B21	2 HBA 2Gb/s PCI FCA2101 For WNT/W2k
1.2	273915-B21	1 Smart Array 6402/128 Ultra320 2-chan
1.3	286778-B22	2 72.8GB 15000r U320 disk 1"
1.4	300679-B21	2 1GB ECC PC2100 DDR DIMM kit (2x512MB)
1.5	346990-B21	2 Intel Xeon MP 3000-4MB Proc kit
2	302970-B21	1 MSA30 Dual Buss Ultra320 7+7 1"
2.1	286716-B22	10 146.8GB 10000r U320 disk 1"

storagewks microst hardware
server visuals hp grid computing
diagram route visual andis lnt2
edit link red hat processor
opteron cluster licenses
goldeneggs 08-12-04 04:32

For more detailed configuring, please consult the latest HP QuickSpecs.
Generated with fresh GOLDEN EGGS Software, Rev:12-Dec-2004



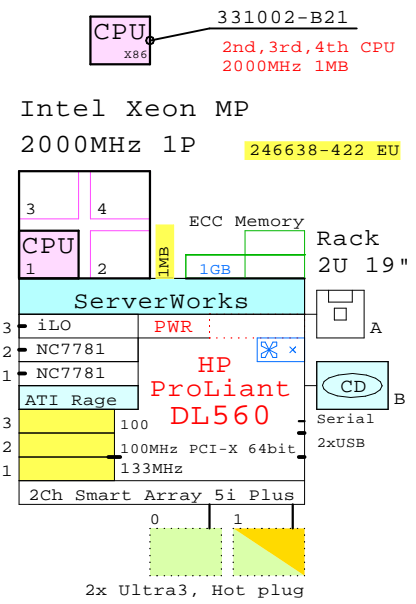
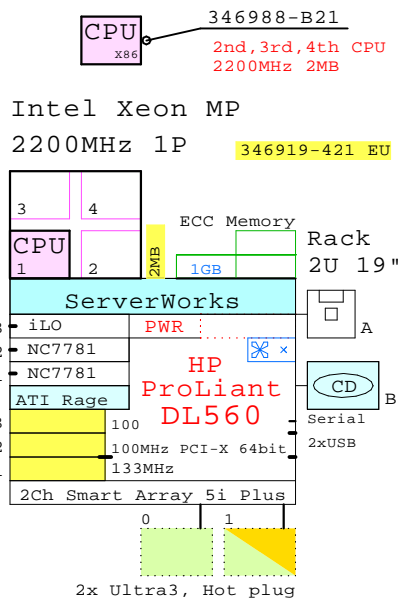
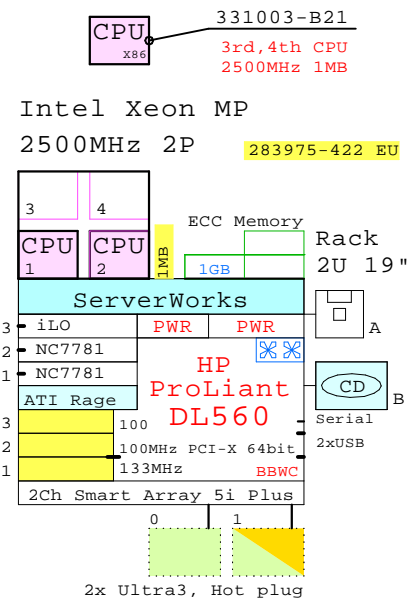
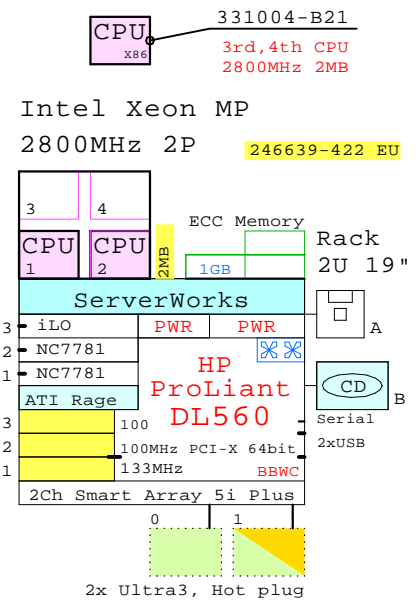
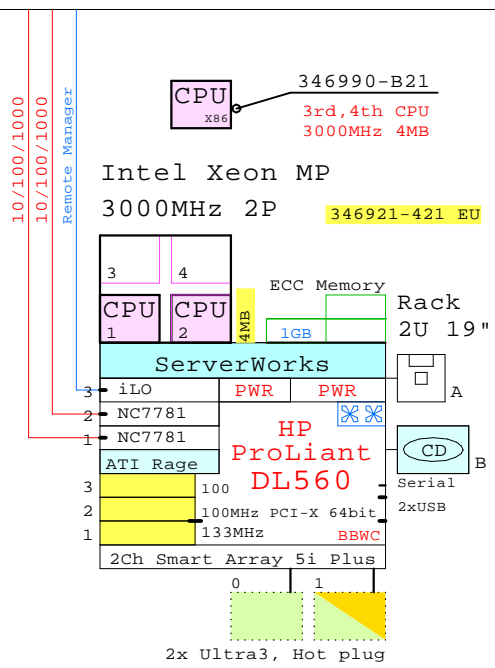
Microsoft Windows 2000
Microsoft Windows Server 2003
Novell NetWare
LINUX (Red Hat, SuSE)
UnitedLinux

For Golden Eggs:
<http://www.LinuxHPC.org>

When this diagram has influenced on your purchase decision, please let me know.
Matti.Patari@Kolumbus.fi GE-Architect.

GOLDEN EGGS Visuals Helsinki	31-Jan-2005	GEIDL560b
	Matti.Patari@Kolumbus.fi	

HP ProLiant DL560 System 3000MHz
GOLDEN EGGS Visuals, Helsinki



Part Number	Qty	Description
246638-422	1	DL560 1P 2000MHz 1MB 1GB 2U rack
246639-422	1	DL560 2P 2800MHz 2MB 1GB 2U rack
283975-422	1	DL560 2P 2500MHz 1MB 1GB 2U rack
331002-B21	1	Intel Xeon MP 2000-1MB Proc kit
331003-B21	1	Intel Xeon MP 2500-1MB Proc kit
331004-B21	1	Intel Xeon MP 2800-2MB Proc kit
346919-421	1	DL560 1P 2200MHz 2MB 1GB 2U rack
346921-421	1	DL560 2P 3000MHz 4MB 1GB 2U rack
346988-B21	1	Intel Xeon MP 2200-2MB Proc kit
346990-B21	1	Intel Xeon MP 3000-4MB Proc kit

For Golden Eggs:
<http://www.LinuxHPC.org>

When this diagram has influenced on your purchase decision, please let me know.
 Matti.Patari@Kolumbus.fi GE-Architect.

GOLDEN EGGS Visuals Helsinki	31-Jan-2005	GEIDL560b-2
	Matti.Patari@Kolumbus.fi	