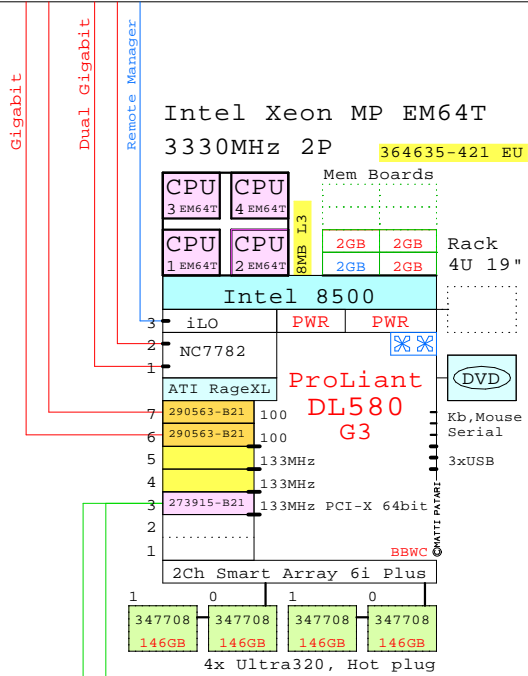
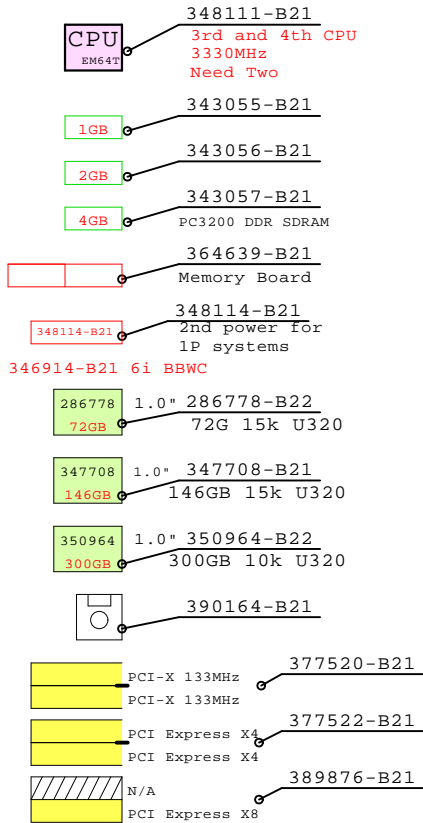
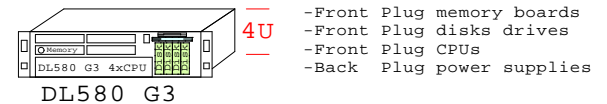
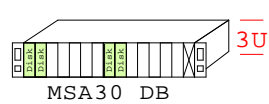
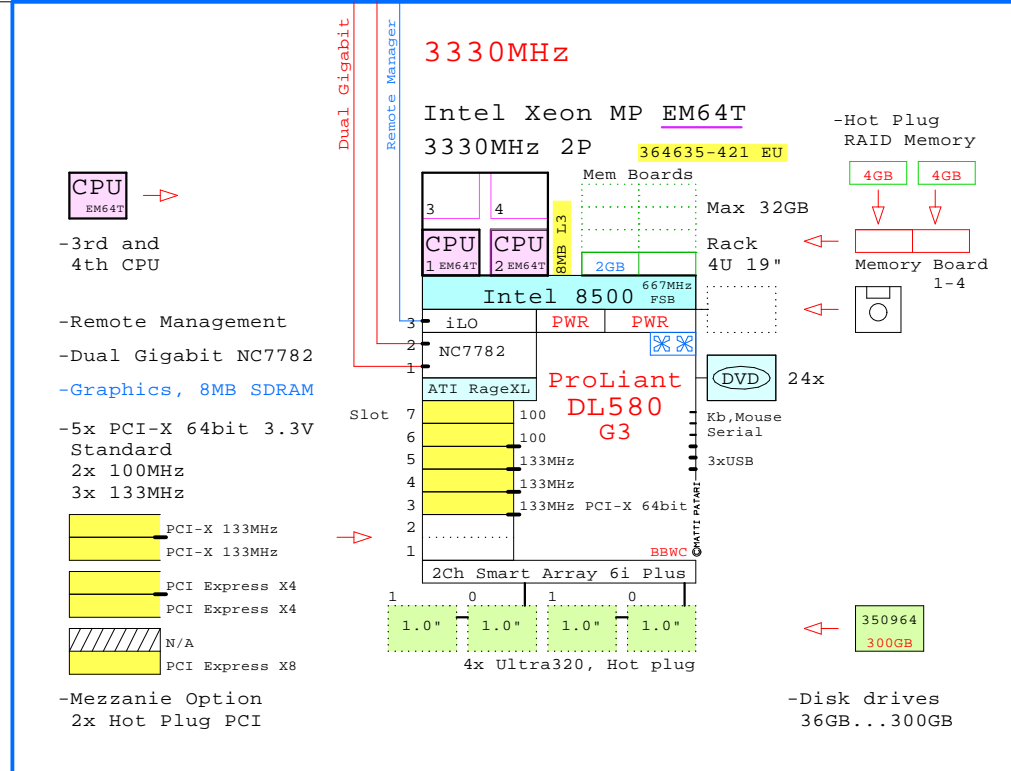


Internal Options:



BOM for the EM64T system above

Part Number	Qty	Description
1	1	364635-421 DL580 G3 2P 3330MHz 8MB-L3 2GB EM64T 4U
1.1	1	273915-B21 Smart Array 6402/128 Ultra320 2-chan
1.2	2	290563-B21 NC7771 PCI-X 10/100/1000-T Server Adapte
1.3	1	343056-B21 2GB PC2 PC3200 DDR2 SDRAM kit(2x1GB)
1.4	4	347708-B21 146.8GB 15000r U320 disk 1"
1.5	2	348111-B21 DL580 G3 Intel Xeon MP 3330MHz 8MB EM64T
1.6	1	364639-B21 DL580 G3 Memory Expansion Board
1.6.1	2	343056-B21 2GB PC2 PC3200 DDR2 SDRAM kit(2x1GB)
2	1	302970-B21 MSA30 Dual Buss Ultra320 7+7 1"
2.1	10	286716-B22 10 146.8GB 10000r U320 disk 1"



- MS Windows Server 2003
- MS Windows 2000
- Red Hat Linux
- SuSE Linux
- Novell Netware
- Sun Solaris Intel

For Golden Eggs:
<http://www.LinuxHPC.org>

When this diagram has supported you on planning process, please let me know.
Matti.Patari@Kolumbus.fi GE-Architect.

© 2005 Matti Patari, All rights reserved.

GOLDEN EGGS Visuals™ Helsinki	28-Apr-2005	GEIDL580G3a
		Matti.Patari@Kolumbus.fi

DL580 G3 4P

HP ProLiant DL580 G3 EM64T 3330MHz
GOLDEN EGGS Visuals, Helsinki

storage hardware graph anal pci server visual me grid computing diagram create model jsp dot net4 linux my video processor network storage controller usb gateway sec ipsec dns dns2 ipsec 28644 pci-x hypertransport dual gigabit ethernet template core

For more detailed configuring, please consult the latest HP QuickSpecs.
Painted with Golden Eggs Software: 28-Apr-2005
All trademarks in this document are those of their owners.

HP ProLiant DL580 G3 EM64T Base Systems

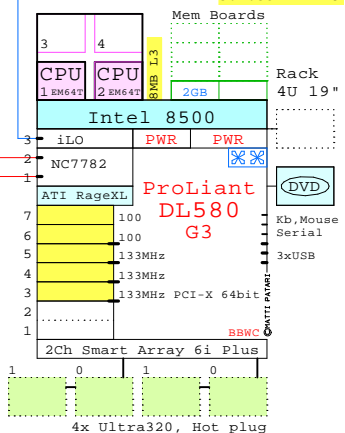
Internal Options:

- 1GB 343055-B21
- 2GB 343056-B21
- 4GB 343057-B21
- PC3200 DDR SDRAM 346439-B21
- Memory Board 348114-B21
- 2nd power for 1P systems 346914-B21 6i BBWC
- 1.0" 286778-B22 72GB 15k U320
- 1.0" 347708-B21 146GB 15k U320
- 1.0" 350964-B22 300GB 10k U320
- 390164-B21
- PCI-X 133MHz 377520-B21
- PCI Express X4 377522-B21
- PCI Express X8 389876-B21
- N/A
- 290563-B21 NC7771 OnePort PCI-X Gigabit
- 313881-B21 NC7170 DualPort PCI-X Gigabit
- 313879-B21 NC6170 DualPort PCI-X Gigabit
- 273914-B21 Smart Array 6404/256 4-Ch
- 321835-B21 FibreChannel Dual FCA 2214DC PCI-X
- 257894-006 Myrinet XP-Fibre M3P-PCI-XD-2

Dual Gigabit Remote Manager

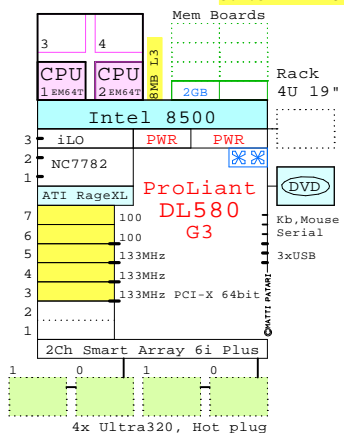
3330MHz L3 8MB

Intel Xeon MP EM64T
3330MHz 2P 364635-421 EU



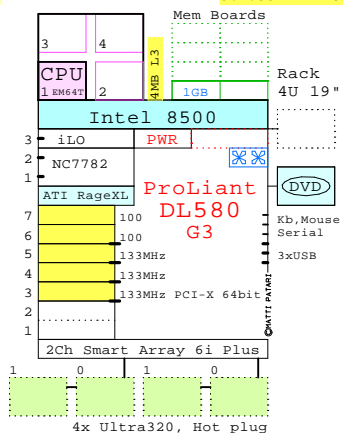
3000MHz L3 8MB

Intel Xeon MP EM64T
3000MHz 2P 364634-421 EU



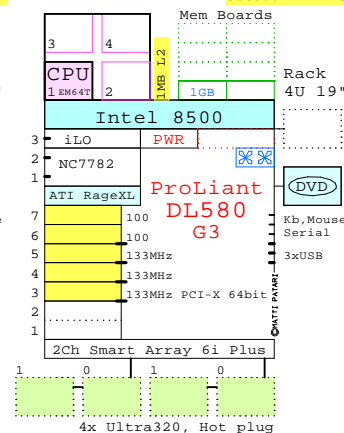
2830MHz L3 4MB

Intel Xeon MP EM64T
2830MHz 1P 364633-421 EU



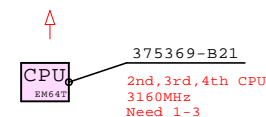
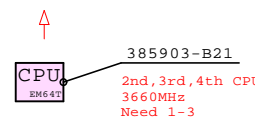
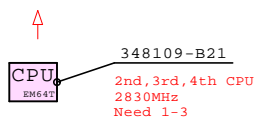
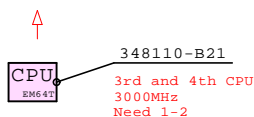
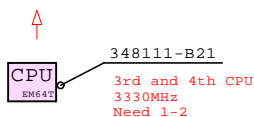
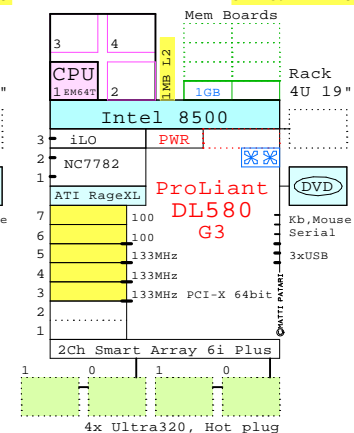
3660MHz L2 1MB

Intel Xeon MP EM64T
3660MHz 1P 385999-421 EU



3160MHz L2 1MB

Intel Xeon MP EM64T
3160MHz 1P 377239-421 EU

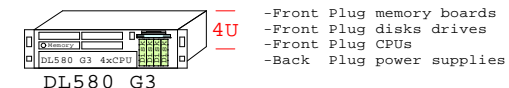


DL580 G3 EM64T base systems

Part Number	Qty	Description
364633-421	1	DL580 G3 1P 2830MHz 4MB-L3 1GB EM64T 4U
364634-421	1	DL580 G3 2P 3000MHz 8MB-L3 2GB EM64T 4U
364635-421	1	DL580 G3 2P 3330MHz 8MB-L3 2GB EM64T 4U
377239-421	1	DL580 G3 1P 3160MHz 1MB-L2 1GB EM64T 4U
385999-421	1	DL580 G3 1P 3660MHz 1MB-L2 1GB EM64T 4U

DL580 G3 EM64T CPU kits

Part Number	Qty	Description
348109-B21	1	DL580 G3 Intel Xeon MP 2830MHz 4MB EM64T
348110-B21	1	DL580 G3 Intel Xeon MP 3000MHz 8MB EM64T
348111-B21	1	DL580 G3 Intel Xeon MP 3330MHz 8MB EM64T
375369-B21	1	DL580 G3 Intel Xeon MP 3160MHz 1MB EM64T
385903-B21	1	DL580 G3 Intel Xeon MP 3660MHz 1MB EM64T



- MS Windows Server 2003
- MS Windows 2000
- Red Hat Linux
- SuSE Linux
- Novell Netware
- Sun Solaris Intel

For Golden Eggs:
<http://www.LinuxHPC.org>

When this diagram has supported you on planning process, please let me know. Matti.Patari@Kolumbus.fi GE-Architect.

©2005 Matti Patari, All rights reserved.

GOLDEN EGGS Visuals™ Helsinki	28-Apr-2005	GEIDL580G3a-2
		Matti.Patari@Kolumbus.fi