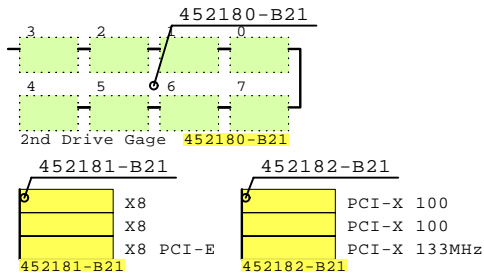


HP ProLiant DL580 G5

Internal Options:

- CPU** 438091-B21
2nd Quad-Core E7330
2400MHz 2x3MB
- 397411-B21
- 2GB 397413-B21
- 4GB 397415-B21
- 8GB 413015-B21
- 16GB DDR2-SDRAM 2x DIMMs each 452179-B21
2nd Memory module
- 437572-B21
G5 2nd power
- 431933-B21
36GB 15k SAS
- 431935-B21
72GB 15k SAS
- 431958-B21
146GB 10k SAS
- 367047-B21
NC320T 1000T
PCI-E Gigabit
- 414126-B21
NC510F One Port
PCI-E 10-Gigabit

- A8003A
FibChan PCI-E HBA
2ch 4Gb FC2242SR
- 273915-B21
Smart Array PCI-X
6402/128 2-Ch
- 405132-B21
SA P400/256 PCI-E

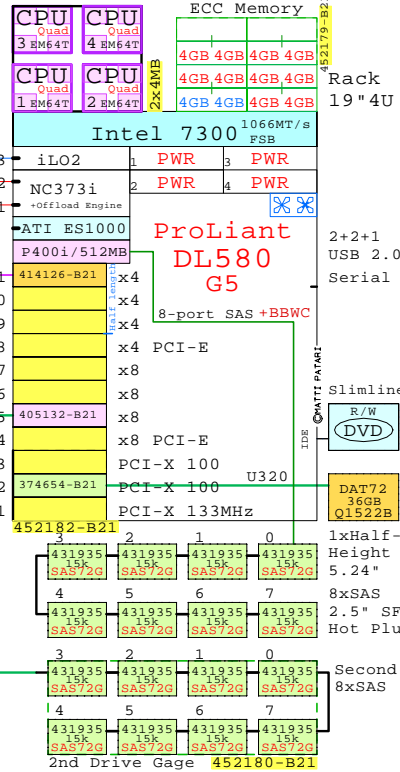


453744-B21 DL580-G5 Tower kit

For more detailed configuring, please consult the latest HP QuickSpecs or VisioCafe.com. All trademarks in this document are those of their owners.

Example Configuration

Intel Xeon X7350 EM64T
2930MHz 4P-Q 451993-421 EU



Parts list for the 4P Quad-Core X7350 system above

Part Number	Qty	Description
451993-421	1	DL580 G5 4P QC X7350-2x4MB 8GB Rack 4U
1.1	397413-B21	6 HP Blade BL460c Memory 4GB 2x2GB
1.2	405132-B21	1 HP Smart Array P400/256 PCI-E HBA
1.3	414126-B21	1 HP NC510F PCI-E 10-Gigabit Server Adapte
1.4	431935-B21	8 HP 72GB SAS 15000r hot-plug disk 2.5"
1.5	452179-B21	1 Memory Board kit DL580 G5
1.5.1	397413-B21	4 HP Blade BL460c Memory 4GB 2x2GB
1.6	452180-B21	1 2nd Drive Gage 8xSFF SAS DL580 G5
1.6.1	431935-B21	8 HP 72GB SAS 15000r hot-plug disk 2.5"
1.7	452182-B21	1 PCI-X 3-slot option DL580 G5
1.7.1	374654-B21	1 HP Single Ch U320 SCSI HBA
1.8	Q1522B	1 HP DAT 72 36GB internal drive

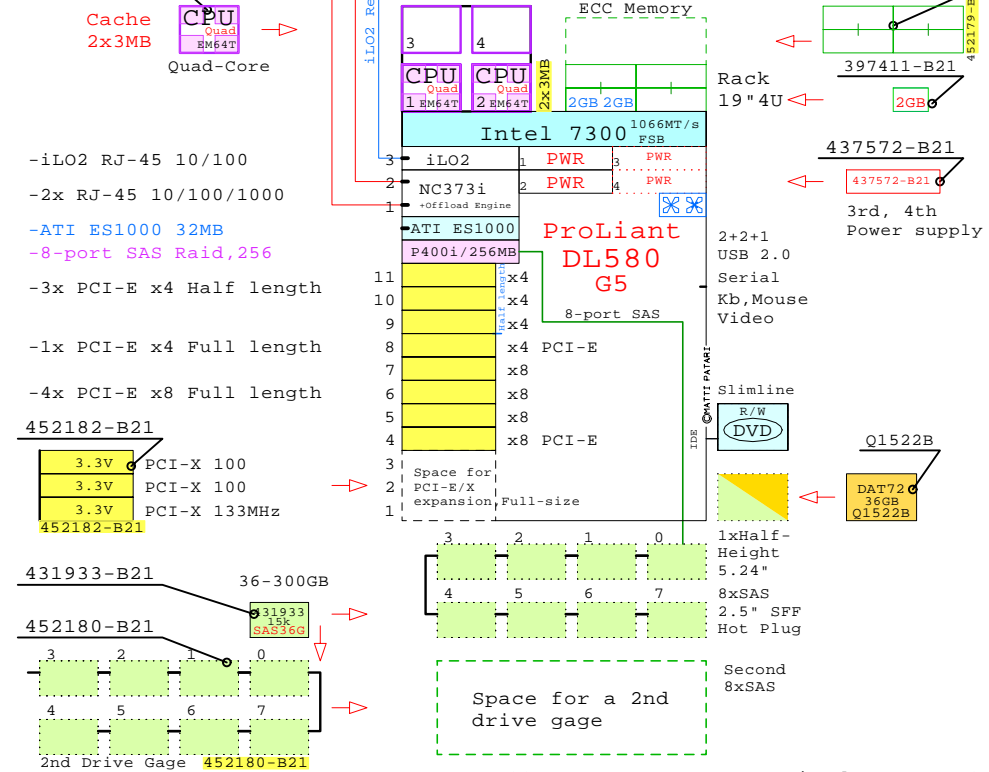
Link to this document:

<http://goldeneggs.spyderbyte.com/geggs/GEIDL580G5x.pdf>

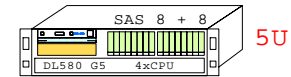
Page 1

2400MHz Dual- or Quad-Core

Intel Xeon E7330 EM64T
2400MHz 2P-Q 438087-421 EU
Memory Max: 16x16GB=256



More DL580 G5 systems are serviced on page 2.



DL580 G5
EM64T

MS Windows Server 2003
Novell NetWare
LINUX: Red Hat, SuSE
VMware Virtualization Software

<http://www.LinuxHPC.org>
<http://www.WinHPC.org>

Golden Eggs home:
<http://goldeneggs.spyderbyte.com/>

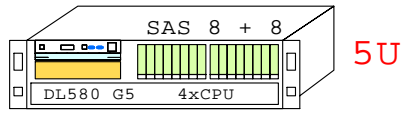
© 2008 Matti Patari, All rights reserved.

GOLDEN EGGS Visuals™ Helsinki	31-Jan-2008	GEIDL580G5a Matti.Patari@Kolumbus.Fi
-------------------------------	-------------	---

HP ProLiant DL580 G5 E7330 2400MH
GOLDEN EGGS Visuals, Helsinki

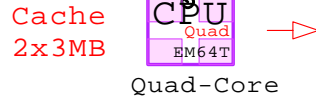
First rev 31-Jan-08

DL580 G5 4P

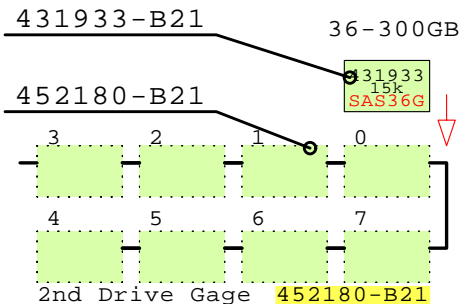
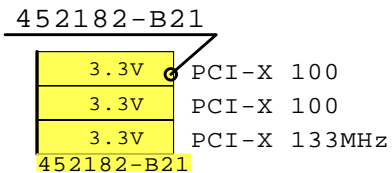


DL580 G5
EM64T

438091-B21
3rd-4th proc.



- iLO2 RJ-45 10/100
- 2x RJ-45 10/100/1000
- ATI ES1000 32MB
- 8-port SAS Raid, 256
- 3x PCI-E x4 Half length
- 1x PCI-E x4 Full length
- 4x PCI-E x8 Full length

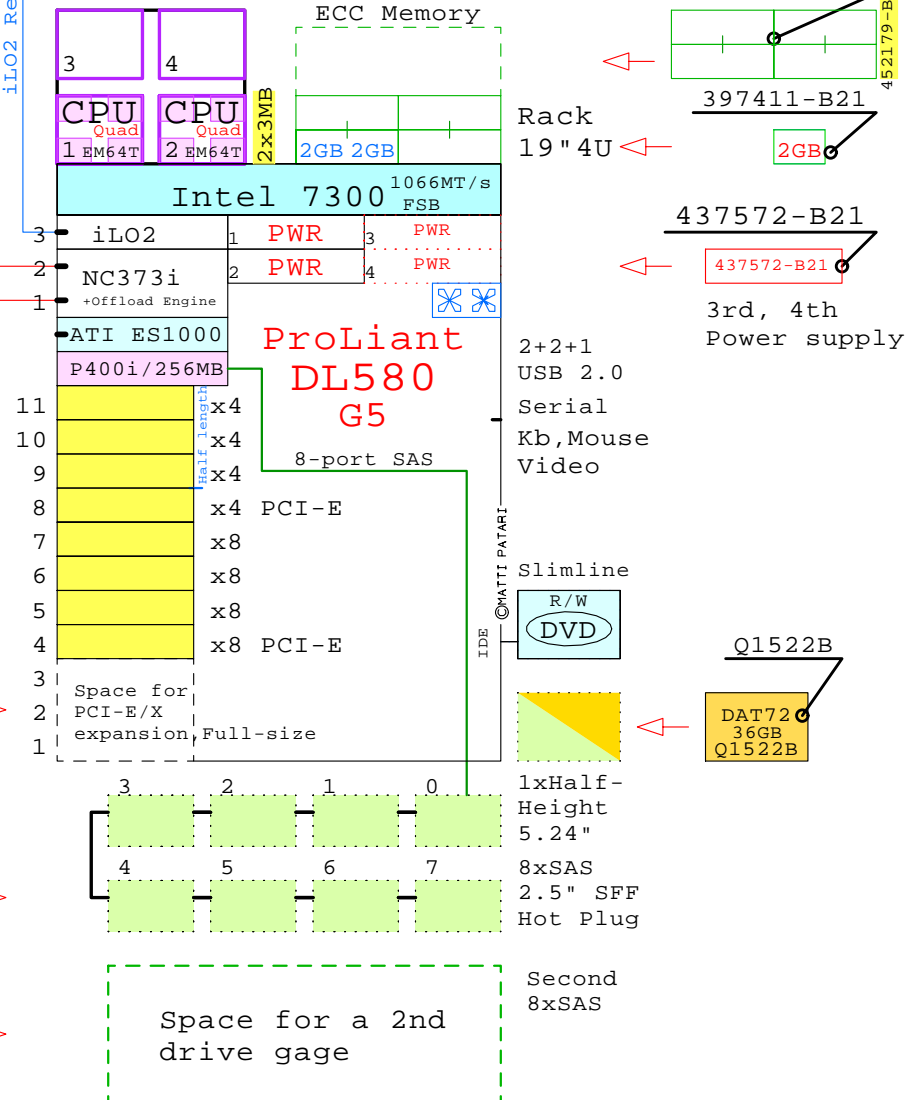


Gigabit E
Gigabit E
iLO2 Remote Manager

2400MHz Dual- or Quad-Core

Intel Xeon E7330 EM64T
2400MHz 2P-Q 438087-421 EU

Memory Max:
16x16GB=256



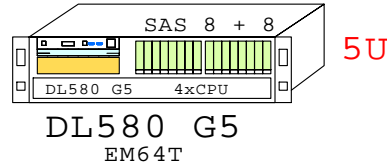
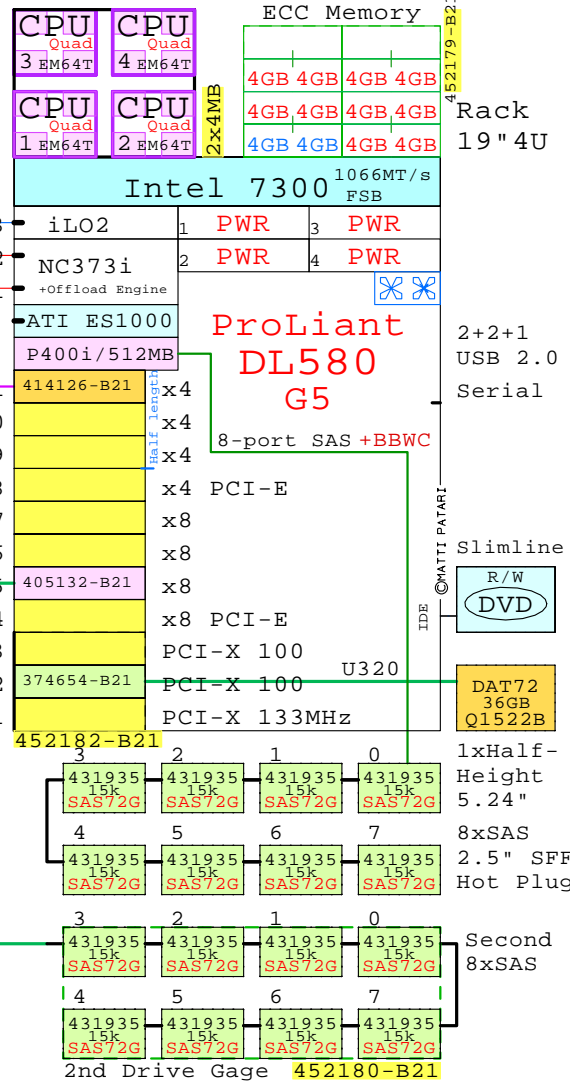
Matti.Patari@Kolumbus.Fi

Link to this document:
<http://goldeneggs.spyderbyte.com/geggs/GEIDL580G5x.pdf>

Golden Eggs home:
<http://goldeneggs.spyderbyte.com/>

HP ProLiant DL580 G5 Example Configuration

Intel Xeon X7350 EM64T
2930MHz 4P-Q 451993-421 EU



Parts list for the 4P Quad-Core X7350 system above

	Part Number	Qty	Description
1	451993-421	1	DL580 G5 4P QC X7350-2x4MB 8GB Rack 4U
1.1	397413-B21	6	HP Blade BL460c Memory 4GB 2x2GB
1.2	405132-B21	1	HP Smart Array P400/256 PCI-E HBA
1.3	414126-B21	1	HP NC510F PCI-E 10-Gigabit Server Adapte
1.4	431935-B21	8	HP 72GB SAS 15000r hot-plug disk 2.5"
1.5	452179-B21	1	Memory Board kit DL580 G5
1.5.1	397413-B21	4	HP Blade BL460c Memory 4GB 2x2GB
1.6	452180-B21	1	2nd Drive Gage 8xSFF SAS DL580 G5
1.6.1	431935-B21	8	HP 72GB SAS 15000r hot-plug disk 2.5"
1.7	452182-B21	1	PCI-X 3-slot option DL580 G5
1.7.1	374654-B21	1	HP Single Ch U320 SCSI HBA
1.8	Q1522B	1	HP DAT 72 36GB internal drive

34 items total

Matti.Patari@Kolumbus.Fi

Golden Eggs home:

<http://goldeneggs.spyderbyte.com/>

Link to this document:

<http://goldeneggs.spyderbyte.com/geggs/GEIDL580G5x.pdf>