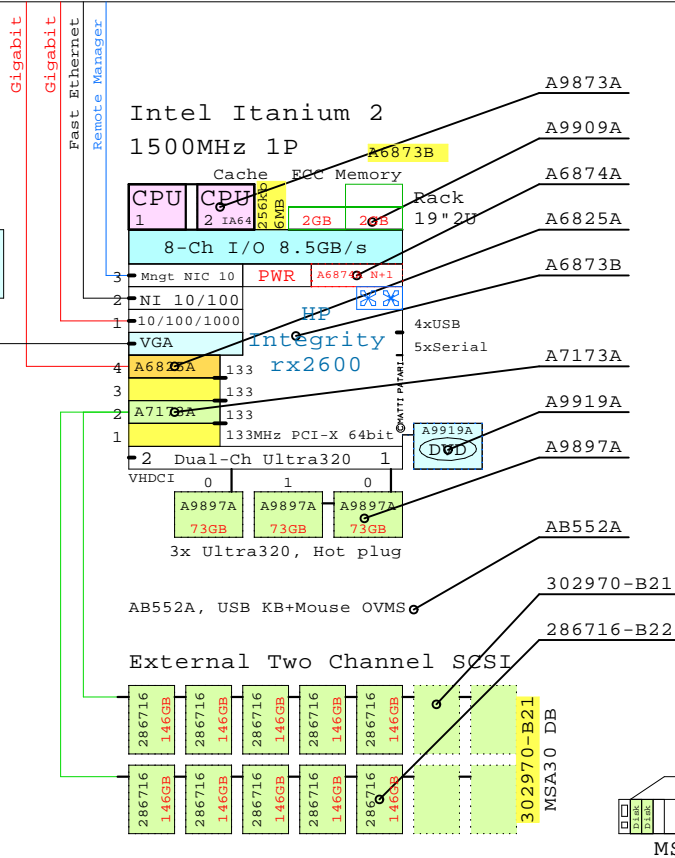
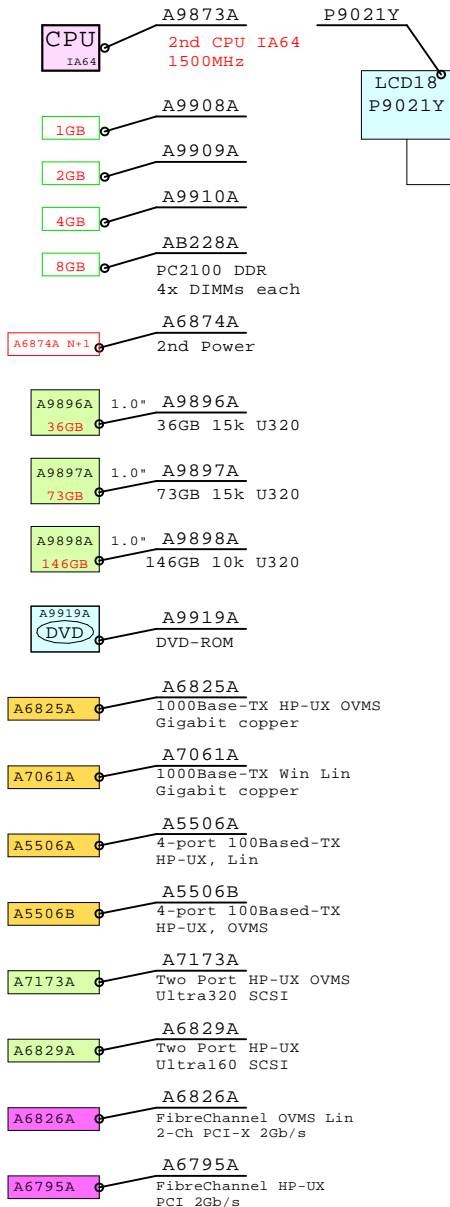
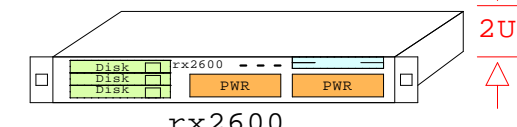
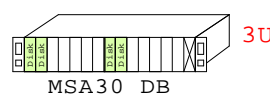
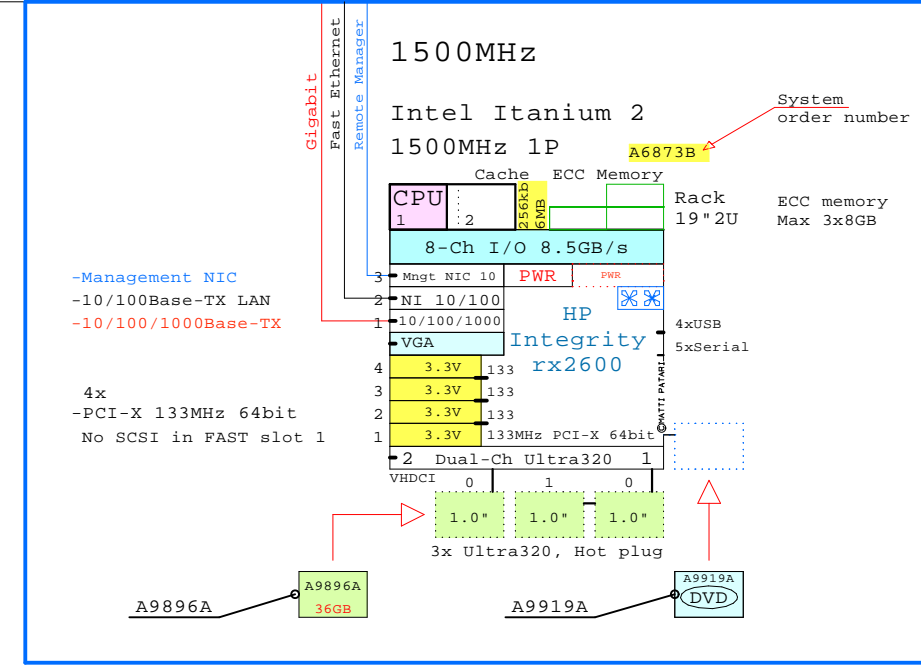


Internal Options:



Parts list for the example system above

Part Number	Qty	Description
1	A6873B	1 HP rx2600 1P 1500MHz-6MB 0GB
1.1	A6825A	1 1000Base-TX Gigabit copper HP-UX
1.2	A6874A	1 2nd Power supply rx2600
1.3	A7173A	1 Dual-port Ultra320 SCSI OpenVMS
1.4	A9873A	1 1.5GHz-6MB Itanium2 Processor rx2600
1.5	A9897A	3 73GB 15000r U320 disk rx2600
1.6	A9909A	2 Memory HP rx2600 2GB DDR 4x512MB
1.7	A9919A	1 DVD-ROM rx2600
2	302970-B21	1 MSA30 Dual Buss Ultra320 7+7 1"
2.1	286716-B22	10 146.8GB 10000r U320 disk 1"
3	P9021Y	1 18.1 inch LCD flat panel display
4	AB552A	1 USB keyboard and USB scroll mouse OVMS



HP UX 11i version 2
 Windows Server 2003 EE
 Linux
 OpenVMS V8.2

For Golden Eggs:
<http://www.LinuxHPC.org>

When this diagram has influenced on your planning process, please consult the latest HP QuickSpecs.
 Matti.Patari@Kolumbus.fi GE-Architect.

© 2005 Matti Patari, All rights reserved.

Page1	GOLDEN EGGS Visuals™ Helsinki	22-Mar-2005	GEJrx2600a Matti.Patari@Kolumbus.fi
-------	-------------------------------	-------------	--

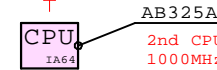
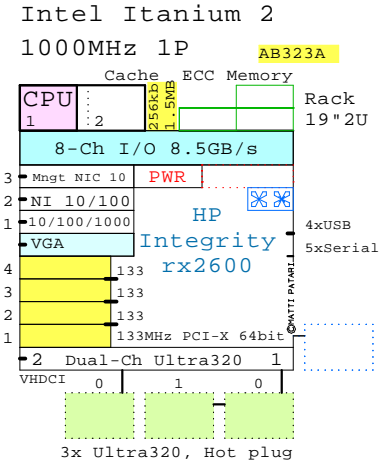
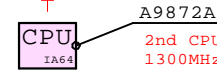
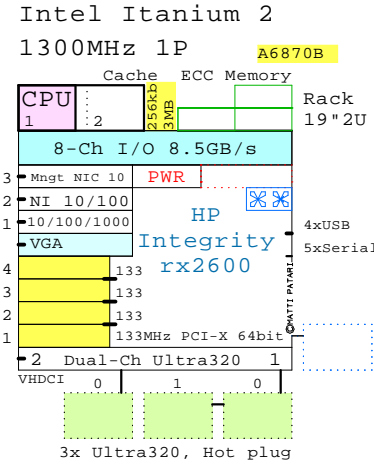
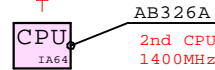
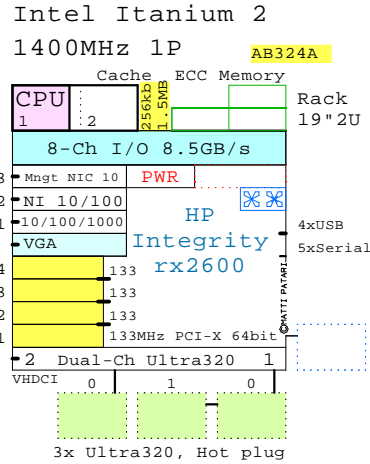
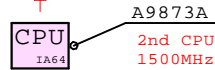
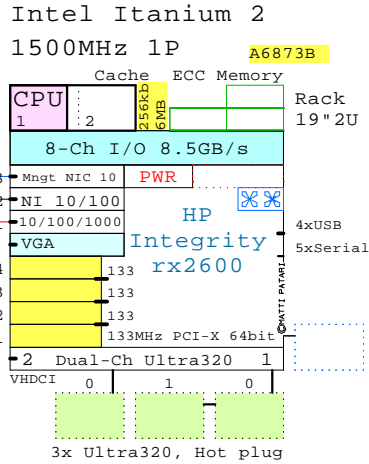
HP Integrity rx2600 1500MHz IA64
 GOLDEN EGGS Visuals, Helsinki

rx2600 2P

For more detailed configuring, please consult the latest HP QuickSpecs.
 Painted with Golden Eggs Software: 18-Mar-2005
 All trademarks in this document are those of their owners.

Internal Options:

- A9908A 1GB
- A9909A 2GB
- A9910A 4GB
- AB228A 8GB
- PC2100 DDR 4x DIMMs each
- A6874A 2nd Power
- A9896A 1.0" 36GB 15k U320
- A9897A 1.0" 73GB 15k U320
- A9898A 1.0" 146GB 10k U320
- A9919A DVD-ROM
- A6825A 1000Base-TX HP-UX OVMS Gigabit copper
- A7061A 1000Base-TX Win Lin Gigabit copper
- A5506A 4-port 100Based-TX HP-UX, Lin
- A5506B 4-port 100Based-TX HP-UX, OVMS
- A7173A Two Port HP-UX OVMS Ultra320 SCSI
- A6829A Two Port HP-UX Ultra160 SCSI
- A6826A FibreChannel OVMS Lin PCI 2Gb/s
- A6795A FibreChannel HP-UX PCI 2Gb/s



Rack and pedestal mounting options

- 1 A6939B Field rack kit for 19" wide cabinet
- 1 A6939AZ Factory integration of system in cabinet
- 1 A6940B Pedestal server mounting kit

OpenVMS Operating System

- 2 BA397AC HP VMS I64 EOE PPL LTU Max4 Sockt w/Sys
- 1 BA322AA #AJR HP VMS I64 FOE DVD Media
- 1 BA348AC HP C for VMS I64 Concurrent LTU
- 1 BA348AA HP C for VMS I64 Media
- 1 BA349AC HP C++ for VMS I64 Concurrent LTU
- 1 BA349AA HP C++ for VMS I64 Media
- 1 BA368AC HP Fortran for VMS I64 Concurrent LTU
- 1 BA368AA HP Fortran for VMS I64 Media
- 1 BA360AA HP Disk File Opt VMS I64 Media
- 2 BA360AC HP Disk File Opt VMS I64 PPL LTU
- 1 BA421AA HP Volume Shadowing VMS I64 Media
- 2 BA413AC HP Volume Shadowing VMS I64 PPL LTU

For Golden Eggs:
<http://www.LinuxHPC.org>

When this diagram has influenced on your planning process, please let me know.
 Matti.Patari@Kolumbus.fi GE-Architect.

© 2005 Matti Patari, All rights reserved.

GOLDEN EGGS Visuals™ Helsinki	18-Mar-2005	GEJrx2600a-2
	Matti.Patari@Kolumbus.fi	

HP Integrity rx2600 Base Systems
 GOLDEN EGGS Visuals, Helsinki

rx2600 2P

storage hardware graph excel ppt
 server visual na grid computing
 design code model (a2) x64
 model linux my video processor
 openvms cluster linux na x64
 golden egg 2004-2005
 2004-04 ppt-ovs hypertransport
 2004-04 ppt-ovs hypertransport
 2004-04 ppt-ovs hypertransport

For more detailed configuring, please consult the latest HP QuickSpecs.
 Painted with Golden Eggs Software: 18-Mar-2005
 All trademarks in this document are those of their owners.