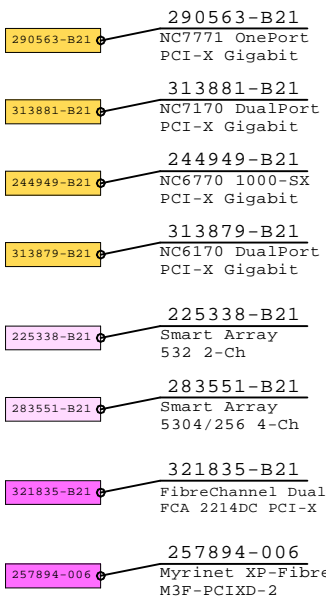
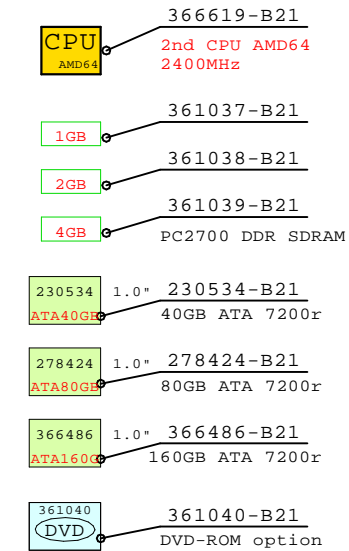
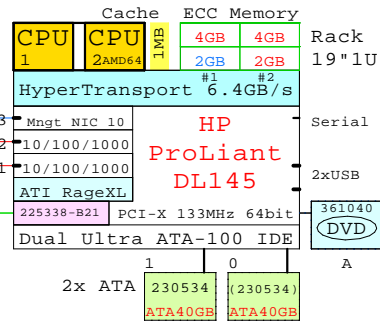


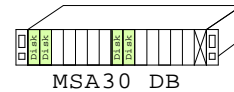
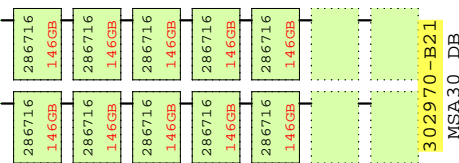
Internal Options:



AMD64 Opteron 250
2400MHz 1P



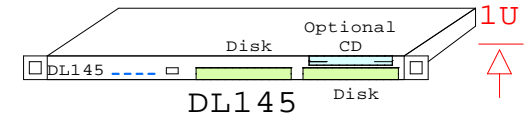
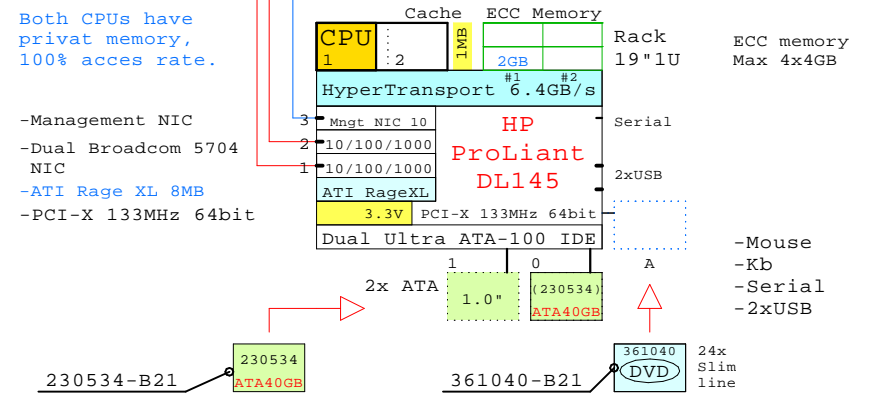
Smart Array RAID 2-Ch SCSI



MSA30 DB

2400MHz

AMD64 Opteron 250 Series
2400MHz 1P



DL145

AMD64
Opteron 32/64bits

MS Windows 2000 Server
MS Windows 2000 Advanced Server
MS Windows 2003 Server, Std Edition
MS Windows 2003 Server, Enterprise
MS Windows 2003 Web Edition

Red Hat Enterprise Linux 2.1 and 3
SUSE Linux Enterprise Server 8

For Golden Eggs:
<http://www.LinuxHPC.org>

When this diagram has influenced on your purchase decision, please let me know.
Matti.Patari@Kolumbus.fi GE-Architect.

BOM for the example system above

Part Number	Qty	Description
1	365520-B21	1 HP ProLiant DL145 2.4GHz 2GB 40GB ATA
1.1	225338-B21	1 Smart Array 532, RAID Ultra3 2-ch
1.2	230534-B21	1 40-GB ATA/100 7200r disk drive 1"
1.3	361038-B21	1 PC2700 2GB Memory option kit 2x1GB
1.4	361039-B21	2 PC2700 4GB Memory option kit 2x2GB
1.5	361040-B21	1 DVD-ROM Option kit, slimline
1.6	366619-B21	1 DL145 2.4GHz AMD64 250 CPU option kit
2	302970-B31	1 MSA30 M4354R dual buss, 7+7, 1.0"
2.1	286716-B22	10 146.8GB 10000r U320 disk 1"

Part numbers for 2200, 1800 and 1600MHz system

Part Number	Qty	Description
1	360519-B21	1 HP ProLiant DL145 1.8GHz 2GB 40GB ATA
1.1	361035-B21	1 DL145 1.8GHz AMD64 244 CPU option kit
2	360520-B21	1 HP ProLiant DL145 2.2GHz 2GB 40GB ATA
2.1	361036-B21	1 DL145 2.2GHz AMD64 248 CPU option kit
3	360518-B21	1 HP ProLiant DL145 1.6GHz 1GB 40GB ATA
3.1	361034-B21	1 DL145 1.6GHz AMD64 242 CPU option kit

For more detailed configuring, please consult the latest HP QuickSpecs.
Generated with fresh GOLDEN EGGS Software, Rev:09-Feb-2005

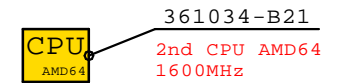
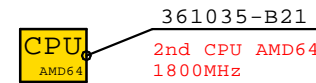
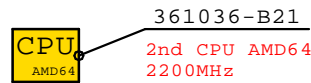
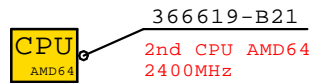
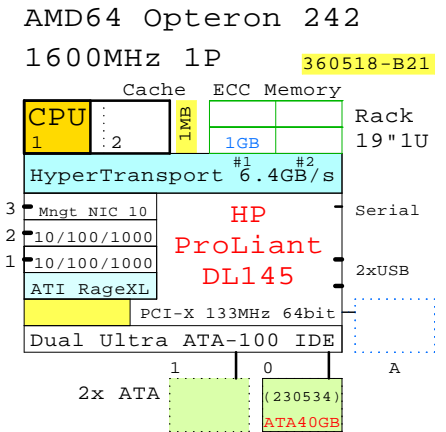
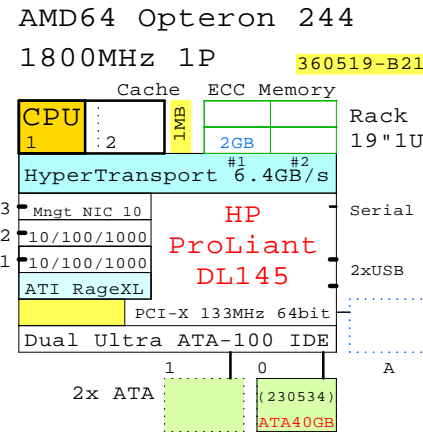
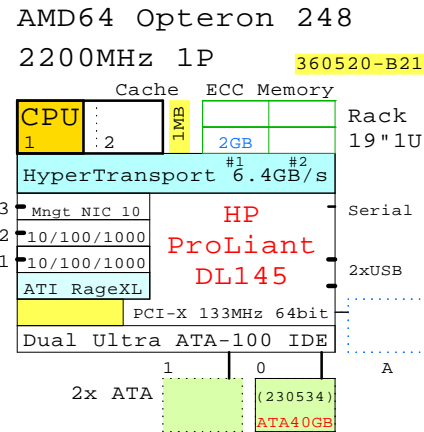
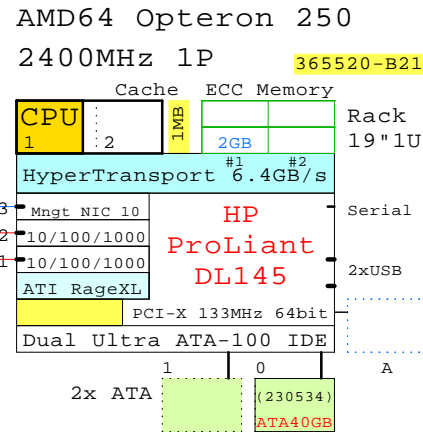
GOLDEN EGGS Visuals Helsinki	09-Feb-2005	GEODL145a
	Matti.Patari@Kolumbus.fi	

HP ProLiant DL145 AMD64 2400MHz
GOLDEN EGGS Visuals, Helsinki

storage hardware graph excel ppt
server visual na grid computing
diagram create amd64 ia32 x86
amd64 linux redhat proccessor
opteron cluster server ia32
getsys add 32-64 64-32 i386
86-64 pci-x hypertransport

Dual Gigabit

Remote Manager



Part Number	Qty	Description
360518-B21	1	HP ProLiant DL145 1P 1.6GHz 1GB 40GB ATA
360519-B21	1	HP ProLiant DL145 1P 1.8GHz 2GB 40GB ATA
360520-B21	1	HP ProLiant DL145 1P 2.2GHz 2GB 40GB ATA
361034-B21	1	DL145 1.6GHz AMD64 242 CPU option kit
361035-B21	1	DL145 1.8GHz AMD64 244 CPU option kit
361036-B21	1	DL145 2.2GHz AMD64 248 CPU option kit
365520-B21	1	HP ProLiant DL145 1P 2.4GHz 2GB 40GB ATA
366619-B21	1	DL145 2.4GHz AMD64 250 CPU option kit

Both CPUs have
privat memory,
100% acces rate.

For Golden Eggs:
<http://www.LinuxHPC.org>

When this diagram has influenced on your
purchase decision, please let me know.
Matti.Patari@Kolumbus.fi GE-Architect.

storage hardware graph acsi pci
server view2 no grid computing
diagram rocks amd64 ia32 x64
amd64 linux redhat procmail
opteron cluster io-series ia32
optaxy s66 12-64 64-32 133mhz
x86-64 pci-x hypertransport

For more detailed configuring, please consult the latest HP QuickSpecs.
Generated with fresh GOLDEN EGGS Software, Rev:09-Feb-2005

GOLDEN EGGS Visuals Helsinki	09-Feb-2005	GEODL145a-2
	Matti.Patari@Kolumbus.fi	
DL145 AMD64 Opteron Base Systems GOLDEN EGGS Visuals, Helsinki		