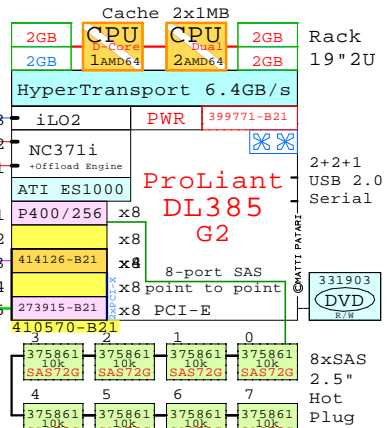


Internal Options:

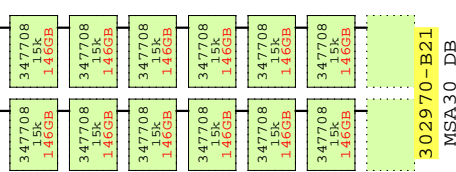
- 407433-B21
CPU
2nd Dual Core
AMD64
2600MHz 2x1MB
- 408850-B21
1GB
- 408851-B21
2GB
- 408853-B21
4GB
- 408854-B21
8GB
DDR2-SDRAM
2x DIMMs each
- 399771-B21
G5 2nd power
- 375859-B21
36GB 10k SAS
- 375861-B21
72GB 10k SAS
- 431958-B21
146GB 10k SAS
- 331903-B21
DVD-ROM
- 367047-B21
NC320T 1000T
PCI-E Gigabit
- 414126-B21
NC510F One Port
PCI-E 10-Gigabit
- A8003A
FibChan PCI-E HBA
2ch 4Gb FC2242SR
- 410570-B21
x8
3.3V
3.3V
410570-B21
PCI-E/PCI-X
Riser cage for
PCI-X HBAs
- 273915-B21
Smart Array PCI-X
6402/128 2-ch
- 257894-006
Myrinet XP-Fibre
M3F-PCIXD-2

Example Configuration

AMD64 Opteron 2218
2600MHz 1P-D 407424-421 EU



External Two Channel SCSI



Parts list for the example system above

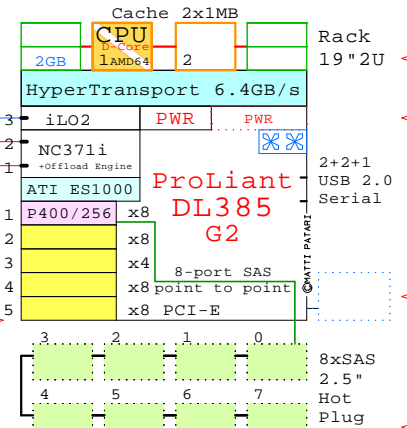
Part Number	Qty	Description
407424-421	1	DL385 G2 1P DC 2218 2.6GHZ 2GB AMD64 SAS
331903-B21	1	CD-RW/DVD-ROM Option kit, slimline
375861-B21	8	HP 72GB SAS 10000r hot-plug disk 2.5"
399771-B21	1	DL380 G5 second power supply WW
407433-B21	1	Opteron DC 2218-2MB 2600MHz for DL385G2
408851-B21	3	2GB PC2-5300 DDR2 kit 2x1GB DL385G2
410570-B21	1	Riser cage PCI-E/PCI-X DL380 G5
273915-B21	1	Smart Array 6402/128 Ultra320 2-chan
414126-B21	1	HP NC510F PCI-E 10-Gigabit Server Adapte
302970-B21	1	MSA30 Dual Buss Ultra320 7+7 1"
347708-B21	12	146.8GB 15000r U320 disk 1"

Link to the most fresh version of this document:
<http://goldeneggs.spyderbyte.com/geggs/GEODL385G2x.pdf>

For more detailed configuring, please consult the latest HP QuickSpecs.
 Detailed configurations are serviced also at: <http://www.VisioCafe.com>
 Painted with Golden Eggs Software: 04-Jan-2007
 All trademarks in this document are those of their owners.

2600MHz Dual Core

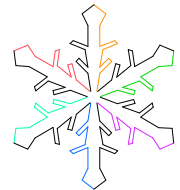
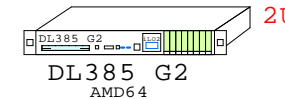
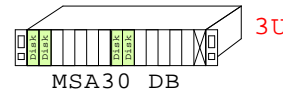
AMD64 Opteron 2218
2600MHz 1P-D 407424-421 EU



Memory Max:
4x8GB=32GB

- 408851-B21
- 399771-B21
- Second Power supply
- 331903-B21
- 331903 DVD
- CD Rom
- 431958-B21
- 431958 SAS146c
- 36-300GB

More DL385 G2 systems are serviced on page 2.



MS Windows Server 2003
 Novell NetWare
 LINUX: Red Hat, SuSE
 SCO UnixWare, OpenServer
 VMware Virtualization Software
 Solaris 10 32/64-bit

<http://www.LinuxHPC.org>
<http://www.WinHPC.org>

Golden Eggs home:
<http://goldeneggs.spyderbyte.com/>

Your comments are appreciated.
 Matti.Patari@Kolumbus.Fi GE-Painter.

© 2006 Matti Patari, All rights reserved.

GOLDEN EGGS Visuals™ Helsinki	04-Jan-2007	GEODL385G2a
		Matti.Patari@Kolumbus.Fi

HP ProLiant DL385 G2 AMD64 2600MH
 GOLDEN EGGS Visuals, Helsinki



2U

DL385 G2
AMD64

407433-B21

Cache
2x1MB



-iLO2 RJ-45 10/100

-2x RJ-45 10/100/1000

-ATI ES1000 32MB

-PCI-E x8 1/2Height Lowprof

-PCI-E x8 1/2Height Lowprof

-PCI-E x4 Full-size

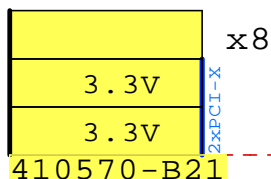
-PCI-E x8 Full-size

-PCI-E x8 Full-size

-PCI-E x8 F-S

-PCI-X 133MHz

-PCI-X 133MHz



PCI-E/PCI-X Riser cage
to hook PCI-X HBAs

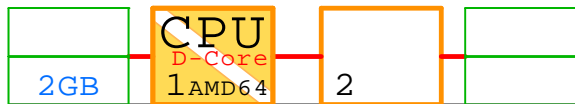
Gigabit E
Gigabit E
iLO2 Remote Manager

2600MHz Dual Core

AMD64 Opteron 2218

2600MHz 1P-D 407424-421 EU

Cache 2x1MB



Rack
19" 2U

HyperTransport 6.4GB/s

3 iLO2 PWR PWR

2 NC371i
+Offload Engine

ATI ES1000

1 P400/256 x8

2 x8

3 x4

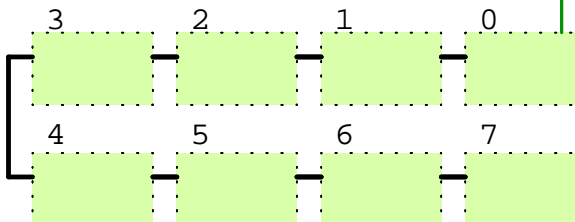
4 x8

5 x8

ProLiant DL385 G2

8-port SAS
x8 point to point

x8 PCI-E



2+2+1
USB 2.0
Serial

Memory Max:
4x8GB=32GB

408851-B21

2GB

399771-B21

Second
Power supply

331903-B21



CD Rom

431958-B21

431958
10k
SAS146G

36-300GB

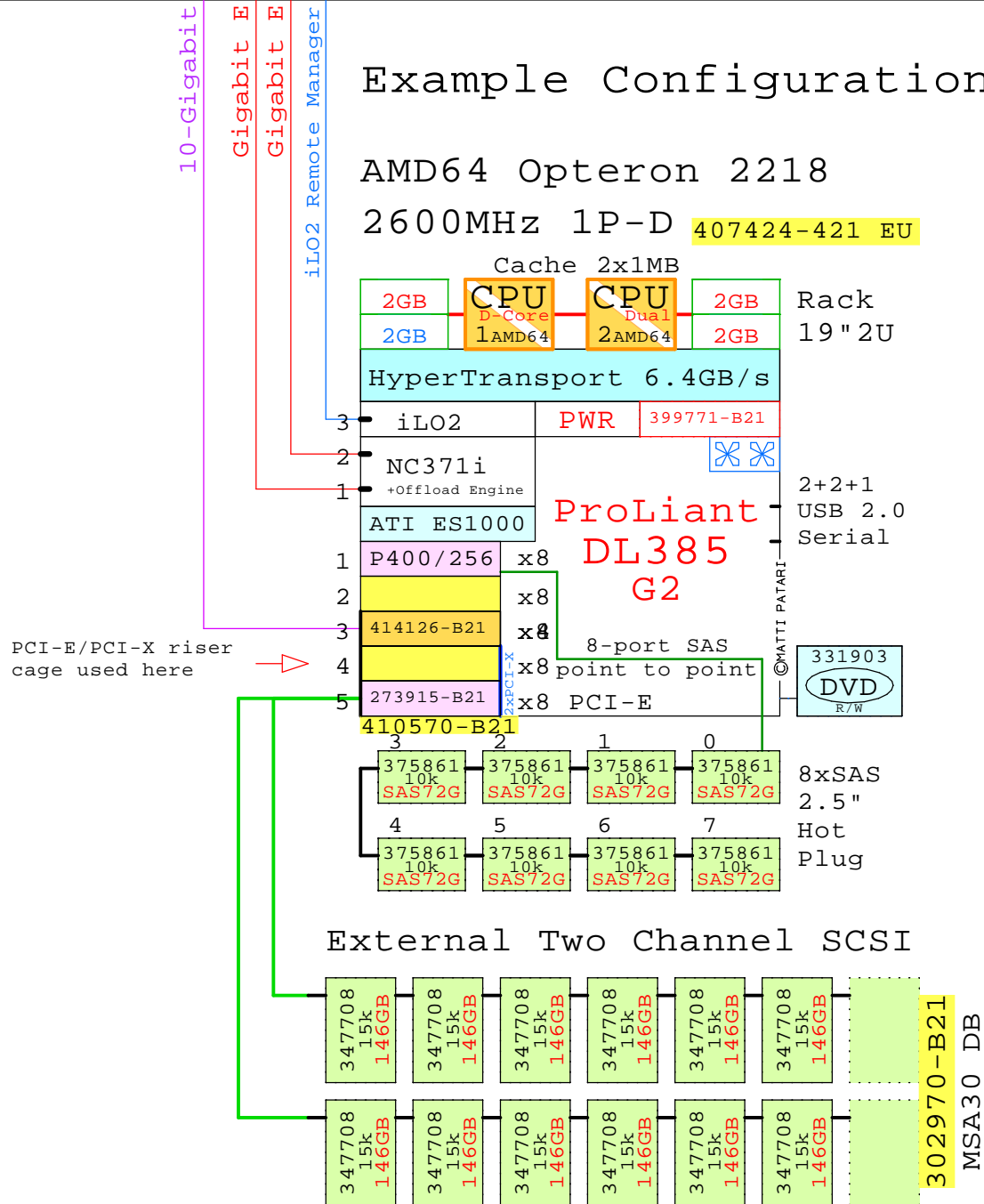
Golden Eggs home:

<http://goldeneggs.spyderbyte.com/geggs/GEODL385G2x.pdf>

<http://goldeneggs.spyderbyte.com/>

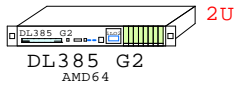
Example Configuration

AMD64 Opteron 2218
 2600MHz 1P-D 407424-421 EU



Link to the most fresh version of this document:
<http://goldeneggs.spyderbyte.com/geggs/GEODL385G2x.pdf>

HP ProLiant DL385 G2 Base Systems, Dual Core Opteron



Internal Options:

- 407433-B21
2nd Dual Core
2600MHz 2x1MB
- 408850-B21
- 408851-B21
- 408853-B21
- 408854-B21
DDR2-SDRAM
2x DIMMs each
- 399771-B21
G5 2nd power
- 375859-B21
36GB 10k SAS
- 375861-B21
72GB 10k SAS
- 431958-B21
146GB 10k SAS
- 331903-B21
DVD-ROM

- 367047-B21
- 414126-B21
- A8003A
2ch 4Gb FC2242SR
- 410570-B21
- 273915-B21
- 257894-006

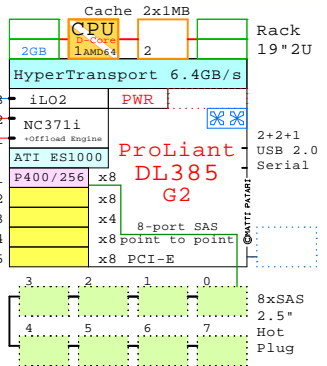
Link to the most fresh version of this document:
<http://goldeneggs.spyderbyte.com/geggs/GEODL385G2x.pdf>

For more detailed configuring, please consult the latest HP QuickSpecs.
 Detailed configurations are serviced also at: <http://www.VisioCafe.com>
 Painted with Golden Eggs Software: 04-Jan-2007
 All trademarks in this document are those of their owners.

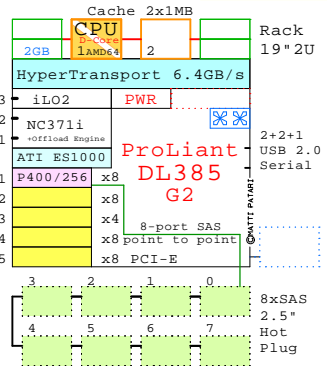
Base Systems, 1P



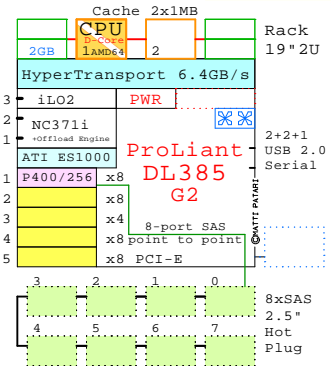
AMD64 Opteron 2218
2600MHz 1P-D 407424-421 EU



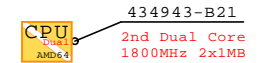
AMD64 Opteron 2216
2400MHz 1P-D 408838-421 EU



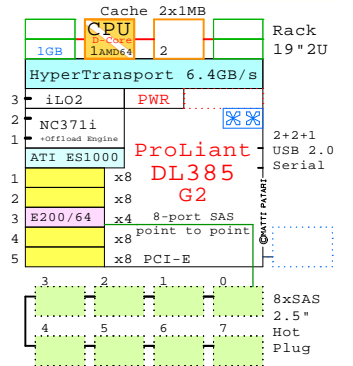
AMD64 Opteron 2214
2200MHz 1P-D 407429-421 EU



Entry Systems, 1P

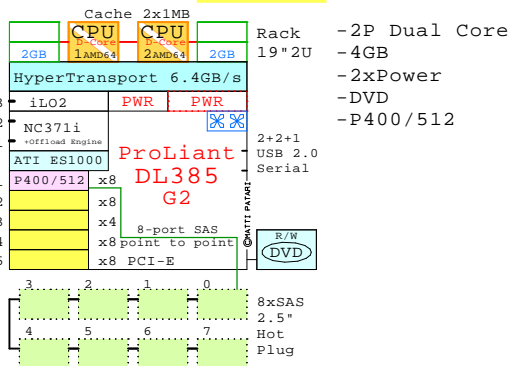


AMD64 Opteron 2210
1800MHz 1P-D 434940-421 EU



High Performance Systems, 2P

AMD64 Opteron 2218
2600MHz 2P-D 432195-421 EU



Base systems on this page

Part Number	Qty	Description
407424-421	1	DL385 G2 1P DC 2218 2.6GH 2GB AMD64 SAS
407429-421	1	DL385 G2 1P DC 2214 2.2GH 2GB AMD64 SAS
408838-421	1	DL385 G2 1P DC 2216 2.4GH 2GB AMD64 SAS
432195-421	1	DL385 G2 2P DC 2218 2.6GH 4GB AMD64 SAS
434940-421	1	DL385 G2 1P DC 2210 1.8GH 1GB AMD64 SAS

<http://www.LinuxHPC.org>
<http://www.WinHPC.org>

Golden Eggs home:
<http://goldeneggs.spyderbyte.com/>

Your comments are appreciated.
 Matti.Patari@Kolumbus.Fi GB-Painter.

© 2006 Matti Patari, All rights reserved.

GOLDEN EGGS Visuals™ Helsinki	04-Jan-2007	GEODL385G2a-2 Matti.Patari@Kolumbus.Fi
-------------------------------	-------------	---