



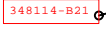

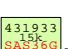
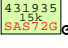
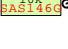
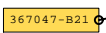
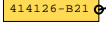
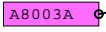
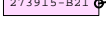
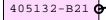


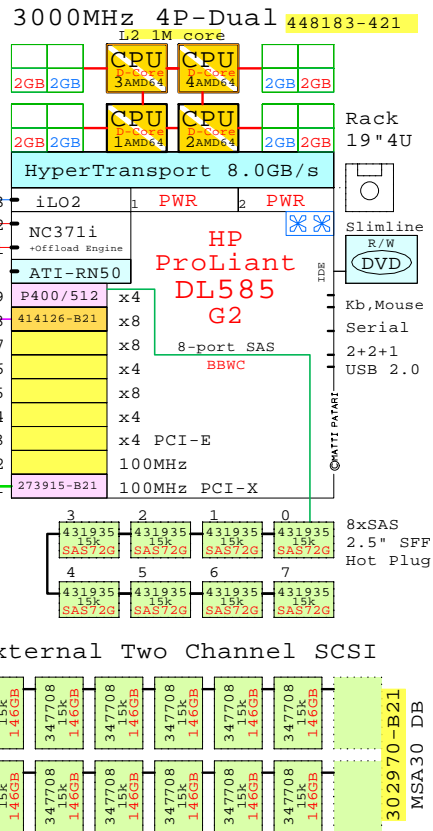
HP ProLiant DL585 G2

Internal Options:

-  413933-B21
2x AMD 8218
-  408851-B21
2GB
-  408853-B21
4GB
-  408854-B21
DDR2-SDRAM
2x DIMMs each
-  348114-B21
G2 2nd power
-  390164-B21
Slimline
RX
-  431933-B21
36GB 15k SAS
-  431935-B21
72GB 15k SAS
-  431958-B21
146GB 10k SAS
-  367047-B21
NC320T 1000T
PCI-E Gigabit
-  414126-B21
NC510F One Port
PCI-E 10-Gigabit
-  A8003A
FibChan PCI-E HBA
2ch 4Gb FC2242SR
-  273915-B21
Smart Array PCI-X
6402/128 2-Ch
-  405132-B21
SA P400/256 PCI-E

Example Configuration

AMD64 Opteron 8222SE



External Two Channel SCSI

Parts list for the 4P Dual-Core 8222SE 3.0GHz system

Part Number	Qty	Description
448183-421	1	DL585 G2 4P DC AMD8222SE 2x1MB 8GB 3.0GH
273915-B21	1	Smart Array 6402/128 Ultra320 2-chan
390164-B21	1	DL580 G3 Slimline Floppy Drive
408851-B21	4	2GB PC2-5300 DDR2 kit 2x1GB DL385G2
414126-B21	1	HP NC510F PCI-E 10-Gigabit Server Adapte
431935-B21	8	HP 72GB SAS 15000r hot-plug disk 2.5"
302970-B21	1	MSA30 Dual Buss Ultra320 7+7 1"
347708-B21	12	146.8GB 15000r U320 disk 1"

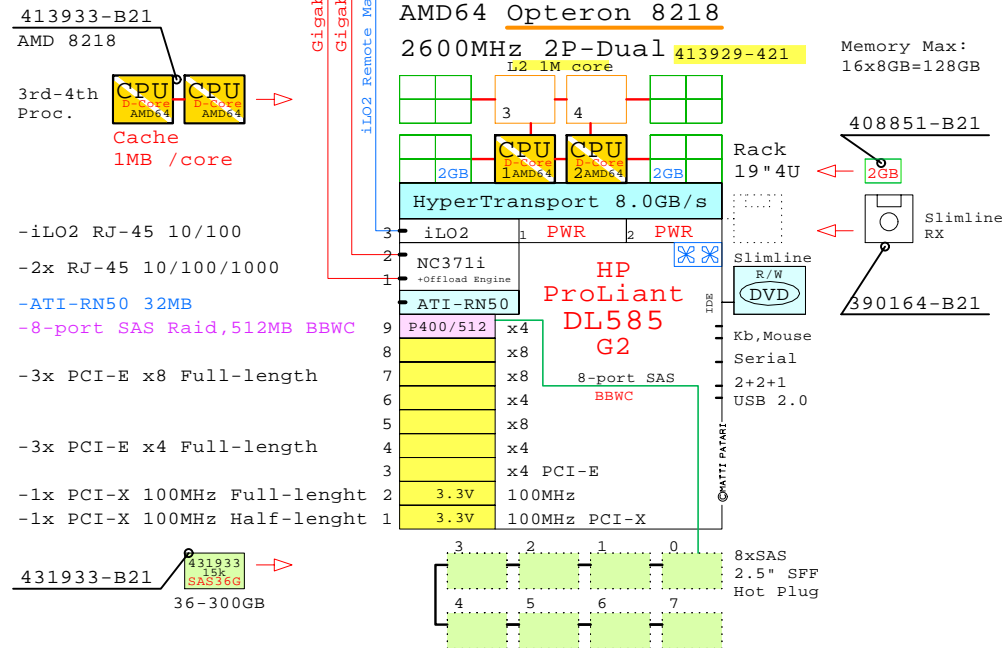
Link to this document:

<http://goldeneggs.spyderbyte.com/geggs/GEODL585G2x.pdf>

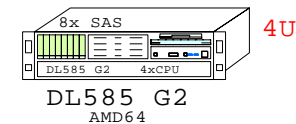
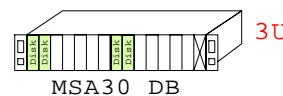
For more detailed configuring, please consult the latest HP QuickSpecs or VisioCafe.com. All trademarks in this document are those of their owners.

2600MHz Dual-Core

AMD64 Opteron 8218



More DL585 G2 systems are serviced on page 2.



MS Windows Server 2003
 LINUX: Red Hat, SuSE
 VMware Virtualization Software
 Sun Solaris

<http://www.LinuxHPC.org>
<http://www.WinHPC.org>

Golden Eggs home:
<http://goldeneggs.spyderbyte.com/>

© 2008 Matti Patari, All rights reserved.

GOLDEN EGGS Visuals™ Helsinki	20-Feb-2008	GEODL585G2a Matti.Patari@Kolumbus.Fi
-------------------------------	-------------	---

HP ProLiant DL585 G2 8222SE 3GHz
 GOLDEN EGGS Visuals, Helsinki

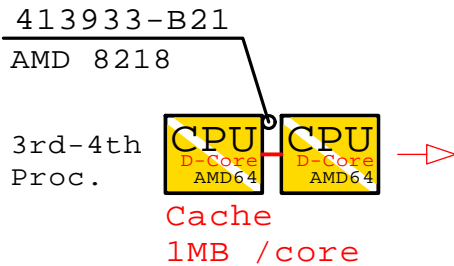
First rev 20-Feb-2008

2600MHz Dual-Core

AMD64 Opteron 8218

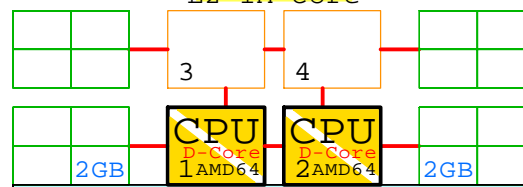
2600MHz 2P-Dual 413929-421

Memory Max:
16x8GB=128GB



Gigabit E
Gigabit E

iLO2 Remote Manager

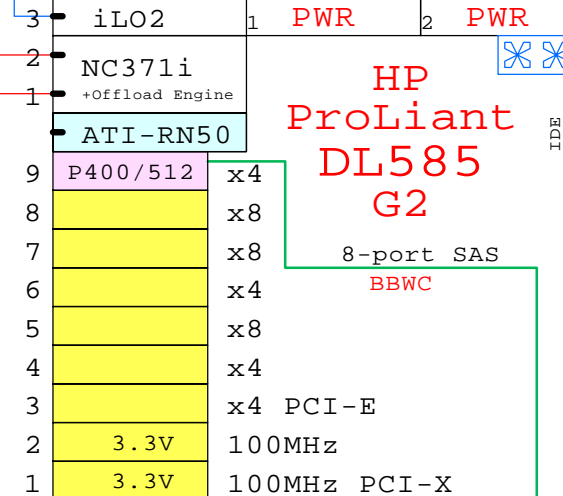


Rack 19"4U

408851-B21

2GB

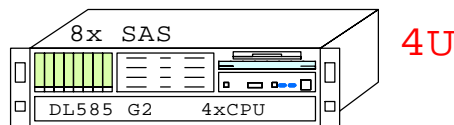
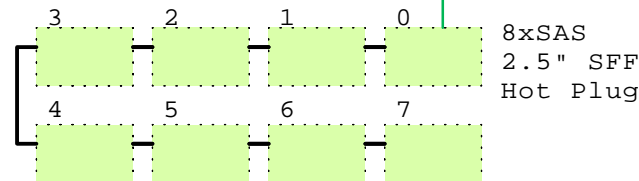
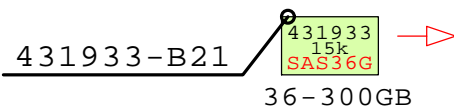
- iLO2 RJ-45 10/100
- 2x RJ-45 10/100/1000
- ATI-RN50 32MB
- 8-port SAS Raid, 512MB BBWC
- 3x PCI-E x8 Full-length
- 3x PCI-E x4 Full-length
- 1x PCI-X 100MHz Full-length
- 1x PCI-X 100MHz Half-length



2GB

Slimline RX

390164-B21



DL585 G2
AMD64

Matti.Patari@Kolumbus.Fi

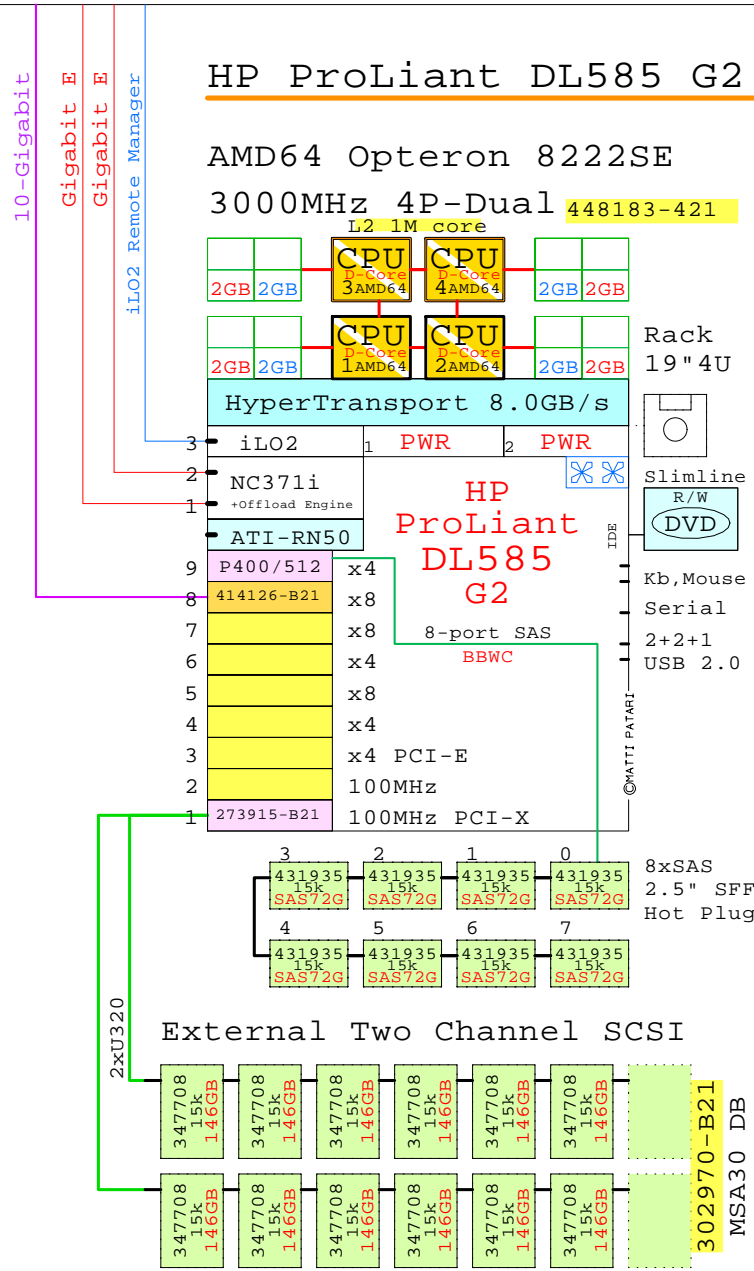
Link to this document:
<http://goldeneggs.spyderbyte.com/geggs/GEODL585G2x.pdf>

Golden Eggs home:
<http://goldeneggs.spyderbyte.com/>

HP ProLiant DL585 G2 Example Configuration

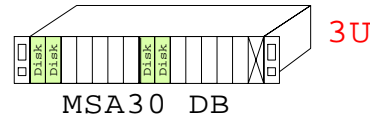
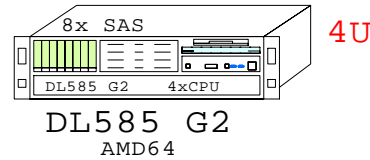
AMD64 Opteron 8222SE

3000MHz 4P-Dual 448183-421



Parts list for the 4P Dual-Core 8222SE 3.0GHz system

	Part Number	Qty	Description
1	448183-421	1	DL585 G2 4P DC AMD8222SE 2x1MB 8GB 3.0GH
1.1	273915-B21	1	Smart Array 6402/128 Ultra320 2-chan
1.2	390164-B21	1	DL580 G3 Slimline Floppy Drive
1.3	408851-B21	4	2GB PC2-5300 DDR2 kit 2x1GB DL385G2
1.4	414126-B21	1	HP NC510F PCI-E 10-Gigabit Server Adapte
1.5	431935-B21	8	HP 72GB SAS 15000r hot-plug disk 2.5"
2	302970-B21	1	MSA30 Dual Buss Ultra320 7+7 1"
2.1	347708-B21	12	146.8GB 15000r U320 disk 1"



Matti.Patari@Kolumbus.Fi

Golden Eggs home:

<http://goldeneggs.spyderbyte.com/>

Link to this document:

<http://goldeneggs.spyderbyte.com/geggs/GEODL585G2x.pdf>