

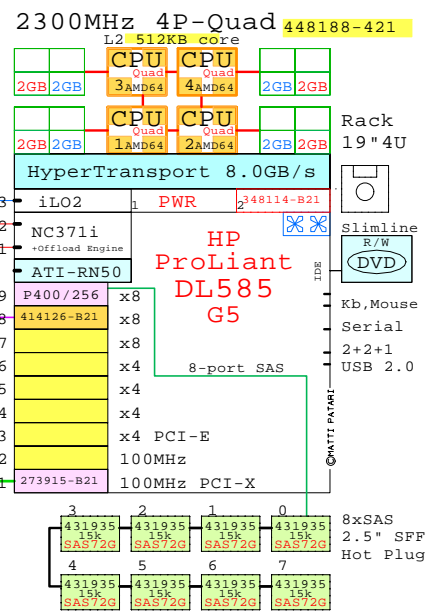
HP ProLiant DL585 G5

Internal Options:

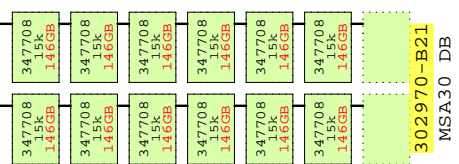
- 448192-B21**
CPU AMD64
2x AMD 8354
Cache
512KB/core
- 408851-B21**
2GB
- 408853-B21**
4GB
- 408854-B21**
8GB
DDR2-SDRAM
2x DIMMs each
- 348114-B21**
G5 2nd power
- 390164-B21**
Slimline
RX
- 431933-B21**
36GB 15k SAS
- 431935-B21**
72GB 15k SAS
- 431958-B21**
146GB 10k SAS
- 367047-B21**
NC320T 1000T
PCI-E Gigabit
- 414126-B21**
NC510F One Port
PCI-E 10-Gigabit
- A8003A**
FibChan PCI-E HBA
2ch 4Gb FC2242SR
- 273915-B21**
Smart Array PCI-X
6402/128 2-Ch
- 405132-B21**
SA P400/256 PCI-E

Example Configuration

AMD64 Opteron 8356



External Two Channel SCSI



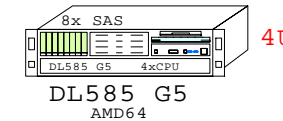
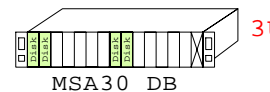
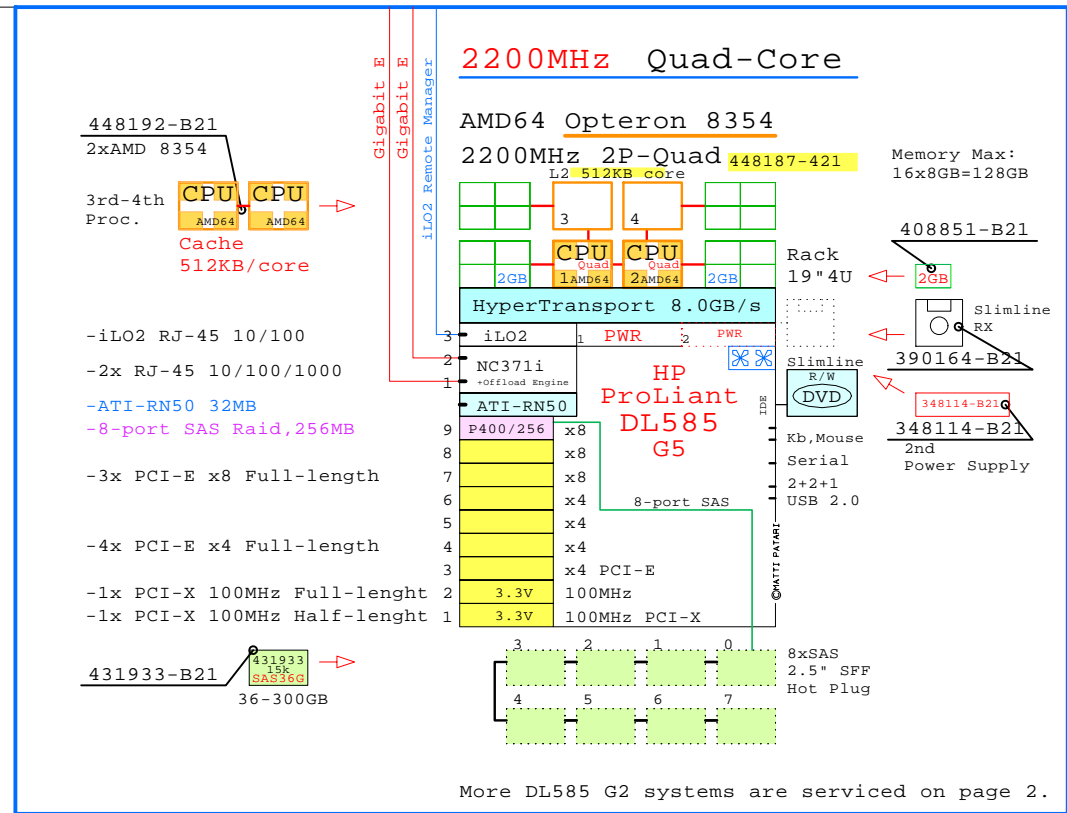
Parts list for the 4P Quad-Core Opteron 8356 2.3GHz system

Part Number	Qty	Description
448188-421	1	DL585 G5 4P QC AMD8356 4x512KB 8GB 2.3GH
273915-B21	1	Smart Array 6402/128 Ultra320 2-chan
348114-B21	1	DL580 G3 second power supply
390164-B21	1	DL580 G3 Slimline Floppy Drive
408851-B21	4	2GB PC2-5300 DDR2 kit 2x1GB DL385G2
414126-B21	1	HP NC510F PCI-E 10-Gigabit Server Adapter
431935-B21	8	HP 72GB SAS 15000r hot-plug disk 2.5"
302970-B21	1	MSA30 Dual Buss Ultra320 7+7 1"
347708-B21	12	146.8GB 15000r U320 disk 1"

Link to this document:

<http://goldeneggs.spyderbyte.com/geggs/GEODL585G5x.pdf>

For more detailed configuring, please consult the latest HP QuickSpecs or VisioCafe.com. All trademarks in this document are those of their owners.



MS Windows Server 2003 and 2008
 LINUX: Red Hat, SuSE
 VMware Virtualization Software
 Sun Solaris

<http://www.LinuxHPC.org>
<http://www.WinHPC.org>

Golden Eggs home:
<http://goldeneggs.spyderbyte.com/>

© 2008 Matti Patari, All rights reserved.

GOLDEN EGGS Visuals™ Helsinki	08-Apr-2008	GEODL585G5a Matti.Patari@Kolumbus.Fi
-------------------------------	-------------	-----------------------------------------

HP ProLiant DL585 G5 8354 2.2GHz
 GOLDEN EGGS Visuals, Helsinki

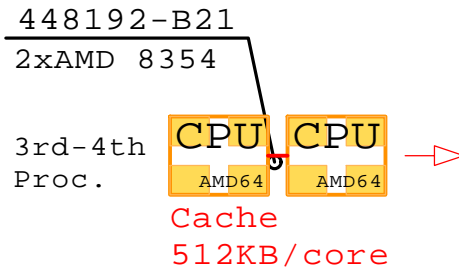
First rev 08-Apr-2008

2200MHz Quad-Core

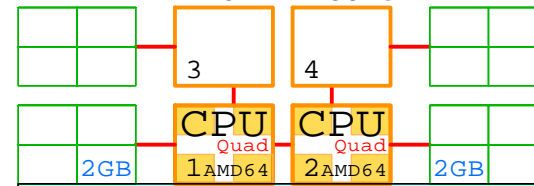
AMD64 Opteron 8354

2200MHz 2P-Quad 448187-421

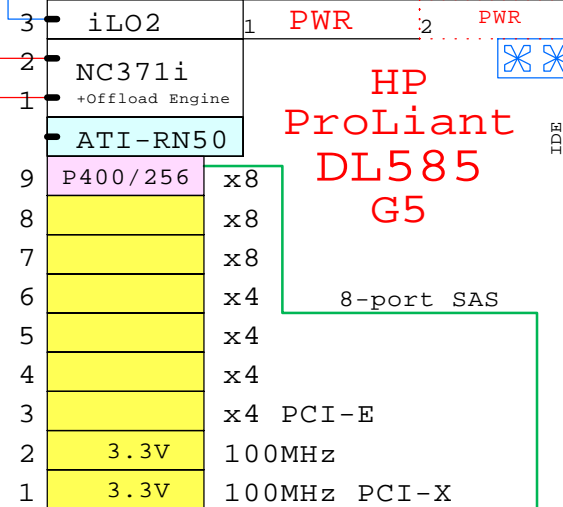
Memory Max:
16x8GB=128GB



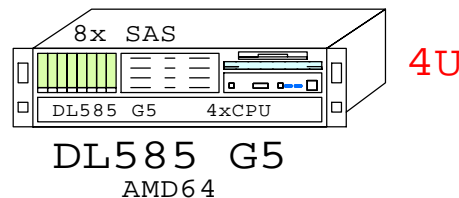
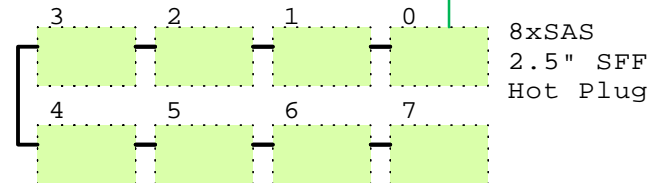
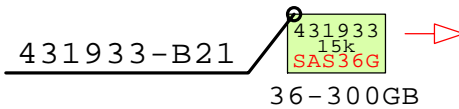
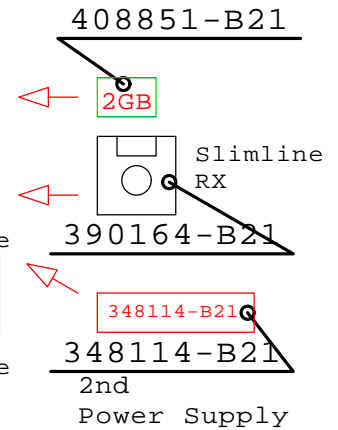
Gigabit E
Gigabit E
iLO2 Remote Manager



- iLO2 RJ-45 10/100
- 2x RJ-45 10/100/1000
- ATI-RN50 32MB
- 8-port SAS Raid, 256MB
- 3x PCI-E x8 Full-length
- 4x PCI-E x4 Full-length
- 1x PCI-X 100MHz Full-length
- 1x PCI-X 100MHz Half-length



Rack 19" 4U



Matti.Patari@Kolumbus.Fi

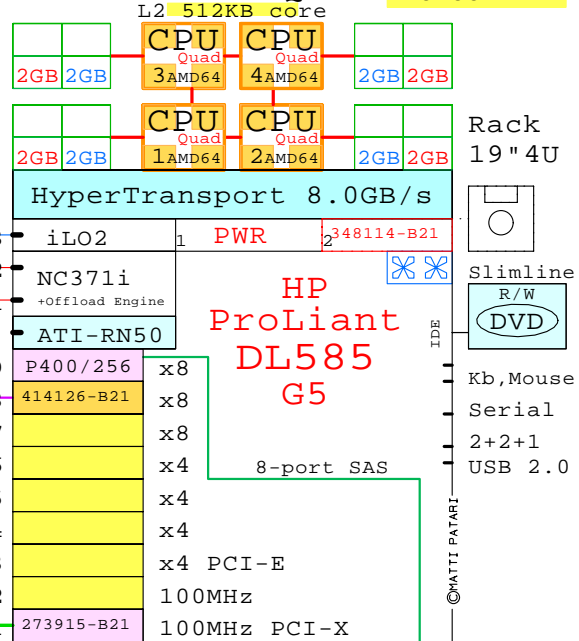
Link to this document:
<http://goldeneggs.spyderbyte.com/geggs/GEODL585G5x.pdf>

Golden Eggs home:
<http://goldeneggs.spyderbyte.com/>

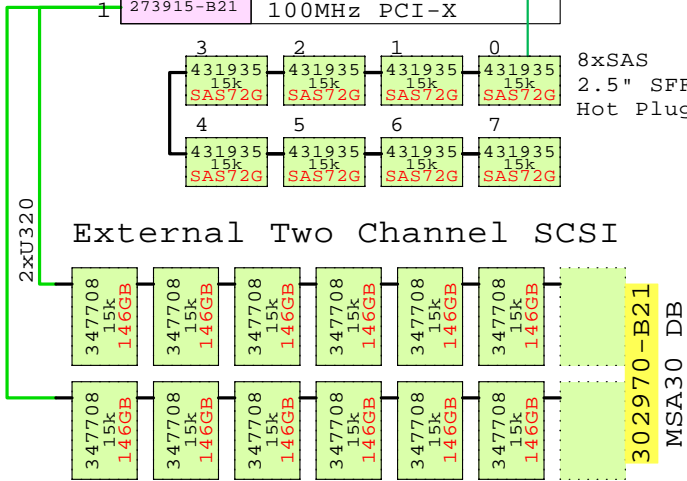
HP ProLiant DL585 G5 Example Configuration

AMD64 Opteron 8356

2300MHz 4P-Quad 448188-421

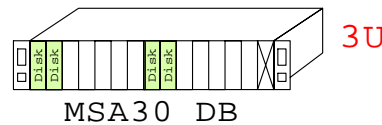
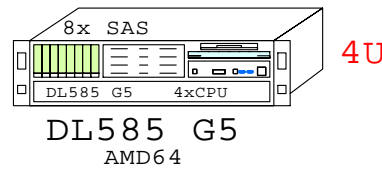


External Two Channel SCSI



Parts list for the 4P Quad-Core Opteron 8356 2.3GHz system

	Part Number	Qty	Description
1	448188-421	1	DL585 G5 4P QC AMD8356 4x512KB 8GB 2.3GH
1.1	273915-B21	1	Smart Array 6402/128 Ultra320 2-chan
1.2	348114-B21	1	DL580 G3 second power supply
1.3	390164-B21	1	DL580 G3 Slimline Floppy Drive
1.4	408851-B21	4	2GB PC2-5300 DDR2 kit 2x1GB DL385G2
1.5	414126-B21	1	HP NC510F PCI-E 10-Gigabit Server Adapte
1.6	431935-B21	8	HP 72GB SAS 15000r hot-plug disk 2.5"
2	302970-B21	1	MSA30 Dual Buss Ultra320 7+7 1"
2.1	347708-B21	12	146.8GB 15000r U320 disk 1"



Matti.Patari@Kolumbus.Fi

Golden Eggs home:
<http://goldeneggs.spyderbyte.com/>

Link to this document:
<http://goldeneggs.spyderbyte.com/geggs/GEODL585G5x.pdf>