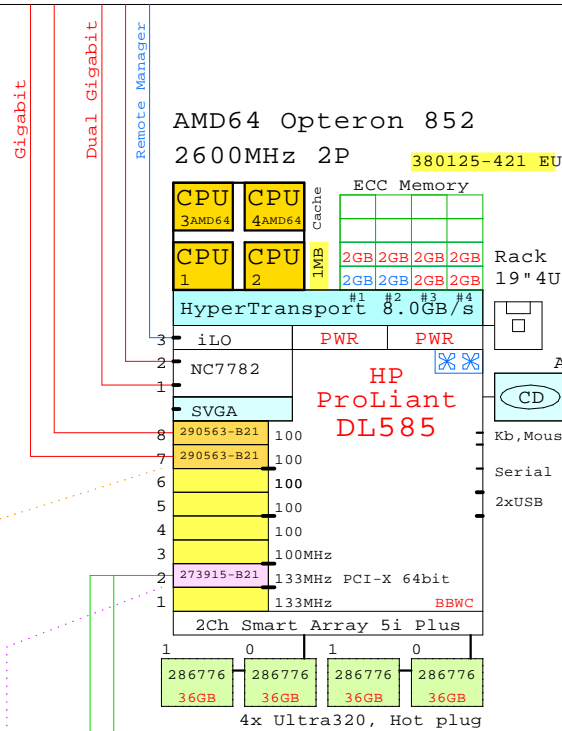
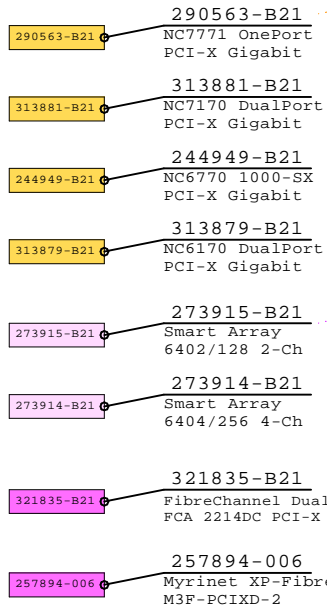
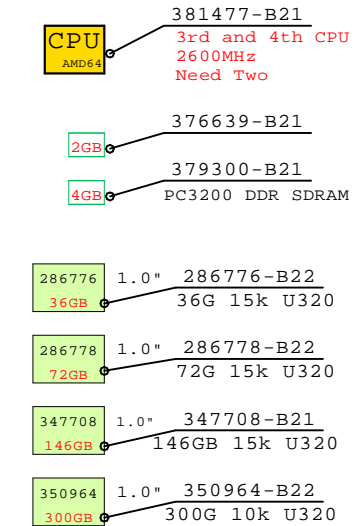
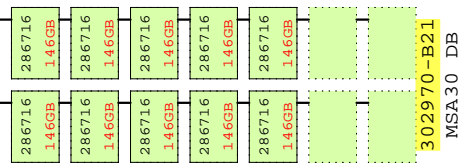


Internal Options:



RAID Storage SCSI



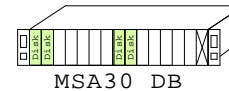
BOM for the Opteron system above

Part Number	Qty	Description
380125-421	1	HP ProLiant DL585 2.6GHz 1MB 2GB 2P AMD6
273915-B21	1	Smart Array 6402/128 Ultra320 2-chan
286776-B22	4	36GB 15000r U320 disk 1"
290563-B21	2	NC7771 PCI-X 10/100/1000-T Server Adapte
376639-B21	6	PC3200 2GB DDR SDRAM DIMM kit 2x1GB
381477-B21	2	DL585 2.6GHz AMD64 852 CPU option kit
302970-B21	1	MSA30 Dual Buss Ultra320 7+7 1"
286716-B22	10	146.8GB 10000r U320 disk 1"

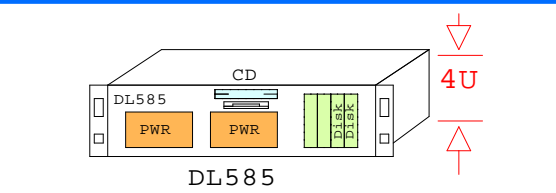
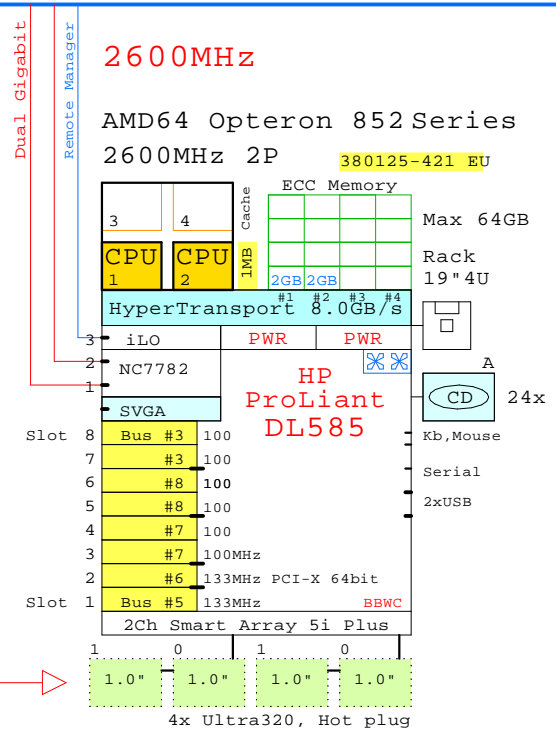
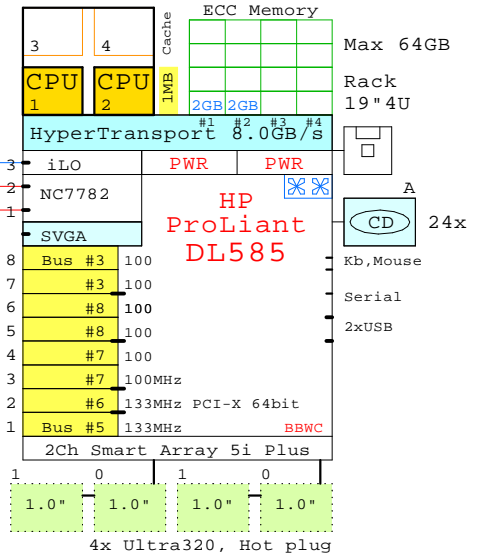
Each CPUs has a privat memory, 100% access rate.

Two processors shipped in the base system. Add in space for a second pair.

- Remote Management
- Dual Gigabit NC7782
- Graphics 1280x1024
- PCI-X 64bit 3.3V Non Hot Plug 6x 100MHz 2x 133MHz
- Disk drives 36GB 72GB 146GB 300GB



AMD64 Opteron 852 Series 2600MHz 2P (380125-421 EU)



- MS Windows 2000 Server
- MS Windows 2000 Advanced Server
- MS Windows 2003 Server, Std Edition
- MS Windows 2003 Server, Enterprise
- Red Hat Enterprise Linux 3
- SUSE Linux Enterprise Server 8

For Golden Eggs: <http://www.LinuxHPC.org>

When this diagram has influenced on your purchase decision, please let me know. Matti.Patari@Kolumbus.fi GE-Architect.

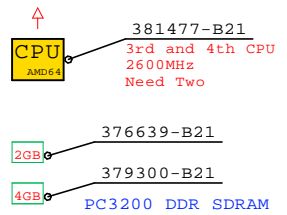
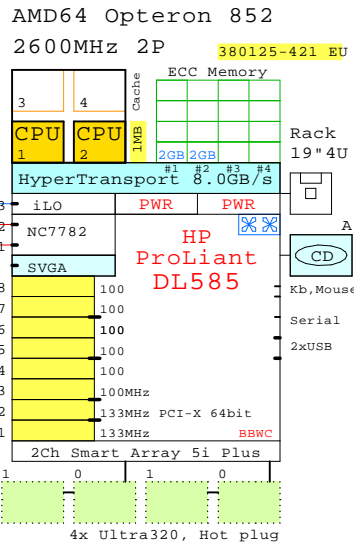
GOLDEN EGGS Visuals Helsinki	15-Feb-2005	GEODL585a
	Matti.Patari@Kolumbus.fi	

HP ProLiant DL585 AMD64 2600MHz GOLDEN EGGS Visuals, Helsinki

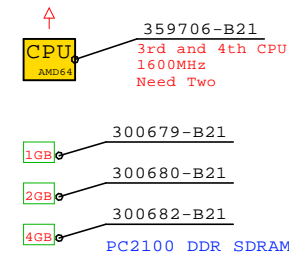
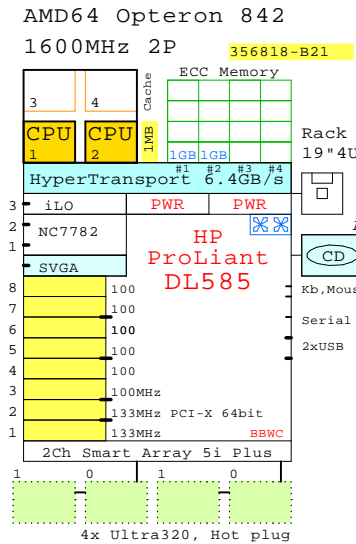
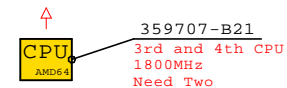
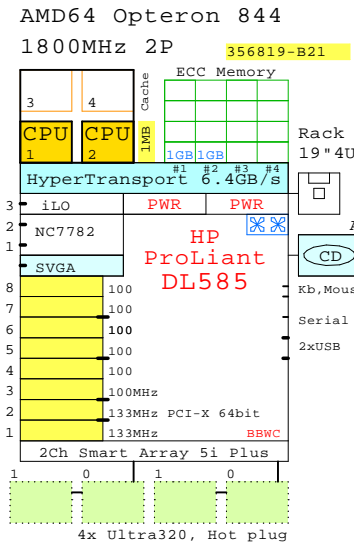
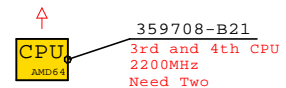
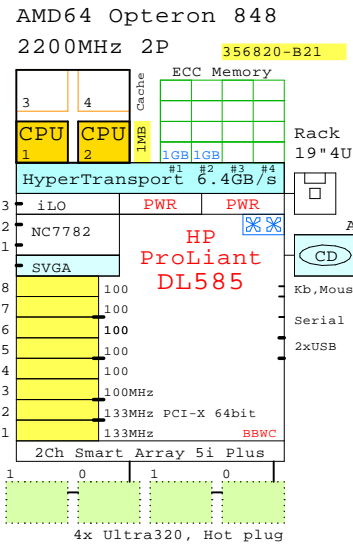
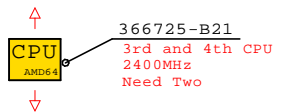
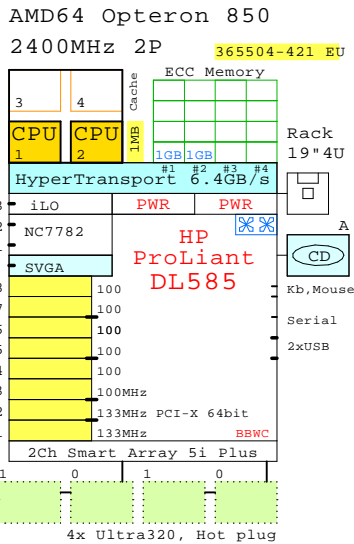
Dual Gigabit

Remote Manager

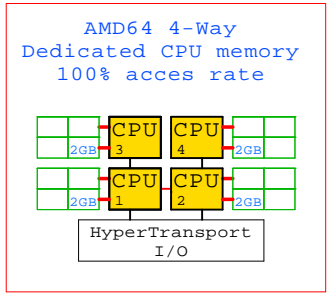
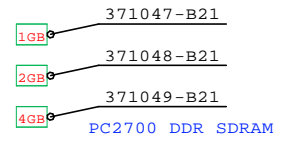
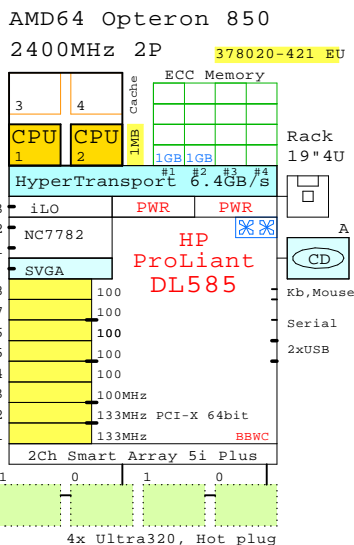
PC3200 DDR memory



PC2100 DDR memory used in systems



PC2700 DDR memory in use



For Golden Eggs:  
<http://www.LinuxHPC.org>

When this diagram has influenced on your purchase decision, please let me know.  
Matti.Patari@Kolumbus.fi GE-Architect.

GOLDEN EGGS Visuals Helsinki	15-Feb-2005	GEODL585a-2
	Matti.Patari@Kolumbus.fi	

HP logo is a registered trademark of Hewlett-Packard Development Company, L.P.  
AMD logo is a registered trademark of Advanced Micro Devices, Inc.  
© 2005 HP Development Company, L.P.  
All rights reserved. HP, the HP logo, and ProLiant are trademarks of Hewlett-Packard Development Company, L.P.  
AMD, the AMD logo, and Opteron are trademarks of Advanced Micro Devices, Inc.