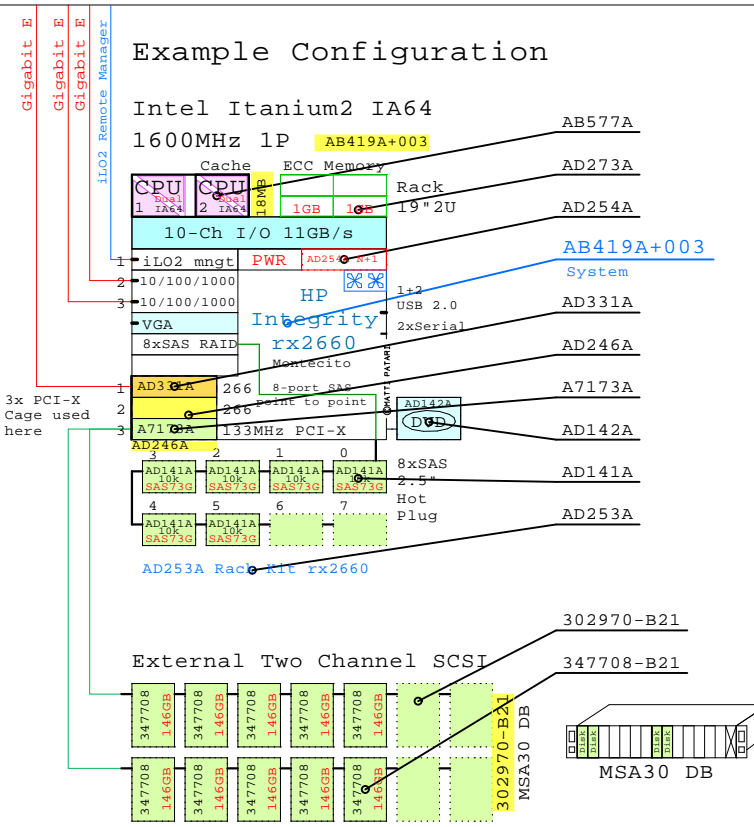


Internal Options:

- AB577A CPU 1-2 Dual Core IA64 1600MHz 18MB
- AD273A 1GB
- AD274A 2GB
- AD275A 4GB
- AD276A 8GB
- AD254A DDR2-SDRAM 2x DIMMs each
- AD254A N+1 2nd Power supply
- AD140A 36GB 10k SAS
- AD141A 73GB 10k SAS
- AD333A 146GB 10k SAS
- AD142A DVD-ROM
- AD143A DVD-ROM R/W
- AD246A 266 I/O Cage 133 3x PCI-X
- AB331A 1000Base-TX HP-UX OVMS Gigabit copper Win Lin
- A7173A Two Port HP-UX OVMS Ultra320 SCSI Win Lin
- A9890A 2-Ch Smart Array 2-ch HP-UX Ultra320 Win Lin OVMS
- A6826A FibreChannel OVMS Lin 2-ch PCI-X 2Gb/s
- A6795A FibreChannel HP-UX PCI 2Gb/s
- AD248A 8-Ch Internal RAID for Windows
- AD247A x8E I/O Cage x8E 2x PCI-E 133 1x PCI-X

Example Configuration

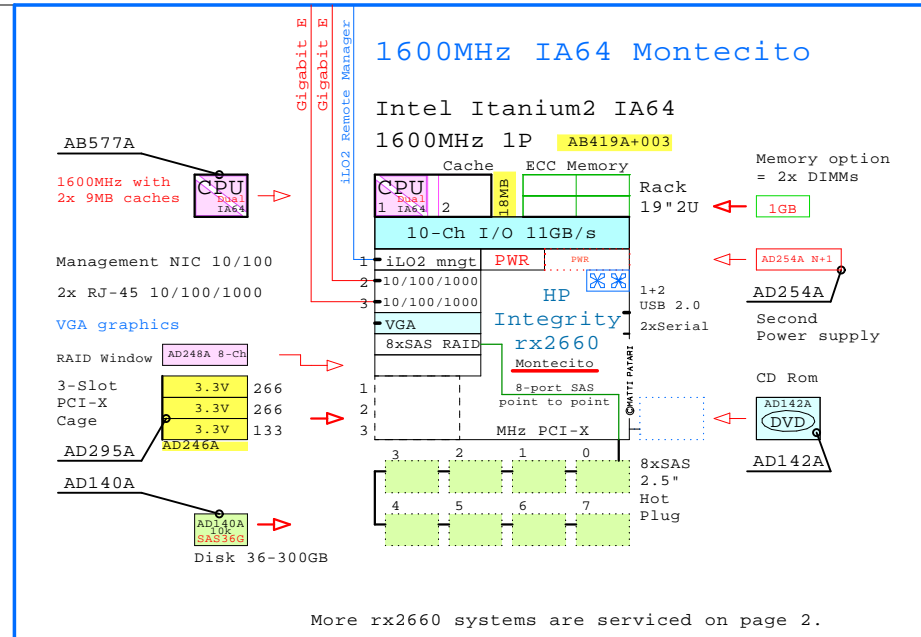


Parts list for the example rx2660 system above

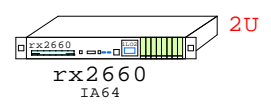
Part Number	Qty	Description
1	1	AB419A+003 HP rx2660 1P DC 1600MHz-18MB 0GB No disk
1.1	1	AB577A 1.6GHz-18MB DC Itanium2 Pr rx3600 rx2660
1.2	6	AD141A HP 73GB SAS 10000r disk 2.5" rx3600
1.3	1	AD142A DVD-ROM read only rx3600 rx6600
1.4	1	AD246A I/O cage 3x PCI-X for rx2660
1.4.1	1	A7173A Dual-port Ultra320 SCSI OpenVMS
1.4.2	1	AD331A 1000Base-TX Gigabit copper HP-UX,OVMS
1.5	1	AD254A 2nd Power supply rx2660
1.6	2	AD273A Memory HP rx2660 1GB DDR2 2x512MB
2	1	302970-B21 MSA30 Dual Buss Ultra320 7+7 1"
2.1	10	347708-B21 146.8GB 15000r U320 disk 1"
3	1	AD253A Rack kit universal for rx2660

Link to the most fresh version of this document:
<http://goldeneggs.spyderbyte.com/geggs/GERx2660x.pdf>

1600MHz IA64 Montecito



More rx2660 systems are serviced on page 2.



HP UX 11i version 2
 Windows Server 2003 EE
 Linux RHEL 4 and SLES 10
 OpenVMS V8.3

Golden Eggs home:
<http://goldeneggs.spyderbyte.com/>

<http://www.LinuxHPC.org>
<http://www.WinHPC.org>
<http://www.OpenVMS.org>

Your comments are appreciated.
 Matti.Patari@Kolumbus.Fi GE-Painter.

© 2006 Matti Patari, All rights reserved.

GOLDEN EGGS Visuals™ Helsinki	30-Jan-2007	GERx2660a
	Matti.Patari@Kolumbus.fi	

HP Integrity rx2660 System
 GOLDEN EGGS Visuals, Helsinki

rx2660 2P

For more detailed configuring, please consult the latest HP QuickSpecs.
 Detailed configurations are serviced also at: <http://www.VisioCafe.com>
 Painted with Golden Eggs Software: 29-Jan-2007
 All trademarks in this document are those of their owners.



2U

rx2660
IA64

AB577A

1600MHz with
2x 9MB caches

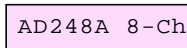


Management NIC 10/100

2x RJ-45 10/100/1000

VGA graphics

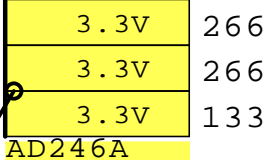
RAID Window



3-Slot

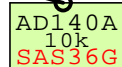
PCI-X

Cage



AD295A

AD140A



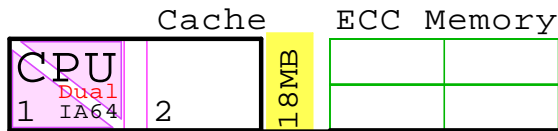
Disk 36-300GB

Gigabit E
Gigabit E
iLO2 Remote Manager

1600MHz IA64 Montecito

Intel Itanium2 IA64

1600MHz 1P **AB419A+003**



Rack
19" 2U

Memory option
= 2x DIMMs



10-Ch I/O 11GB/s

- 1 iLO2 mngt
- 2 10/100/1000
- 3 10/100/1000

PWR PWR

HP
Integrity

rx2660
Montecito

8-port SAS
point to point

MHz PCI-X

- 1+2 USB 2.0
- 2xSerial



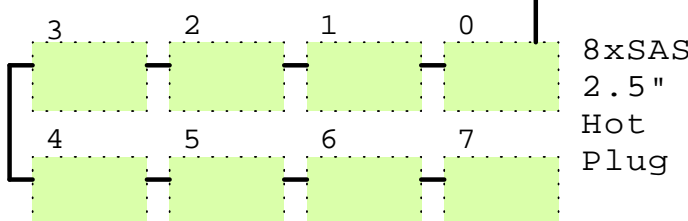
AD254A

Second
Power supply

CD Rom



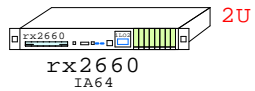
AD142A



Golden Eggs home:

<http://goldeneggs.spyderbyte.com/>

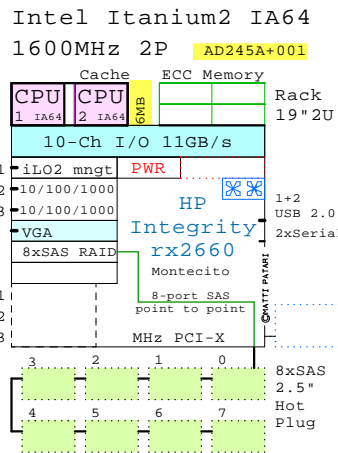
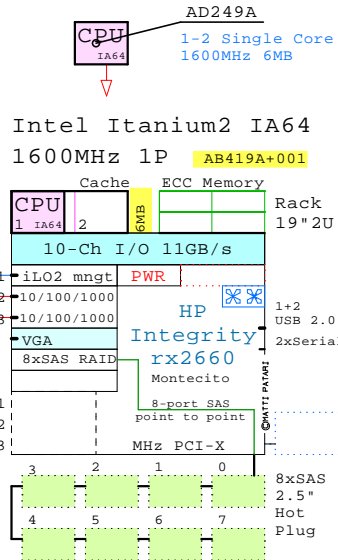
1400/1600MHz Montecito rx2660 Base Systems



Internal Options:

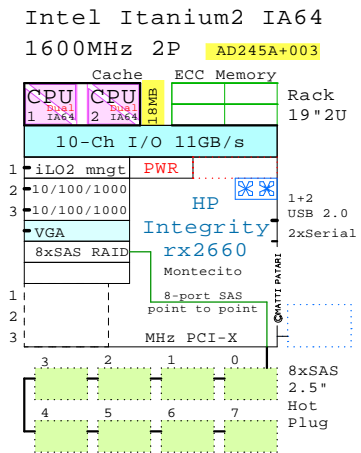
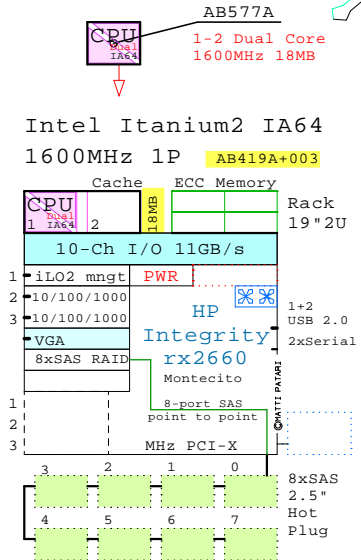
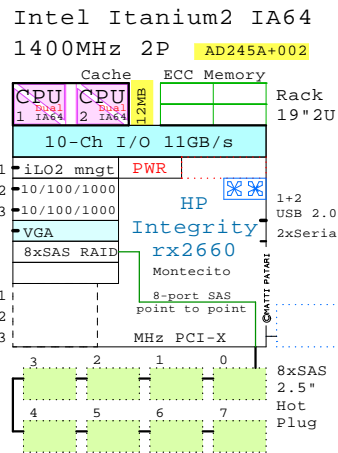
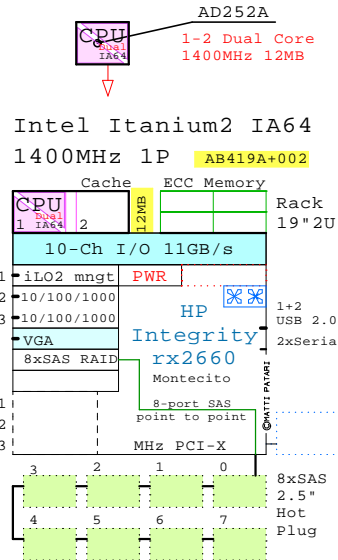
- AD273A 1GB
- AD274A 2GB
- AD275A 4GB
- AD276A 8GB
- AD254A 2nd Power supply
- AD140A 36GB 10k SAS
- AD141A 73GB 10k SAS
- AD333A 146GB 10k SAS
- AD142A DVD-ROM
- AD143A DVD-ROM R/W
- AD246A 266 I/O Cage
- AD331A 1000Base-TX HP-UX OVMS Gigabit copper Win Lin
- A7173A Two Port HP-UX OVMS Ultra320 SCSI Win Lin
- A9890A Smart Array 2-ch HP-UX Ultra320 Win Lin OVMS
- A6826A FibreChannel OVMS Lin 2-Ch PCI-X 2Gb/s
- A6795A FibreChannel HP-UX PCI 2Gb/s
- AD248A 8-ch Internal RAID for Windows
- AD247A x8E I/O Cage
- x8E 2x PCI-E
- AD247A 133 1x PCI-X

Gigabit E
Gigabit E
iLO2 Remote Manager



Golden Eggs home:
<http://goldeneggs.spyderbyte.com/>

This Golden Eggs document is tailored to "navigate" you to the suitable base system in rx2660 server family. On the left pillar most common options are serviced in GE-flash and colours. Choose your colours now.



Your comments are appreciated.
Matti.Patari@Kolumbus.Fi Mr.GoldenEggs

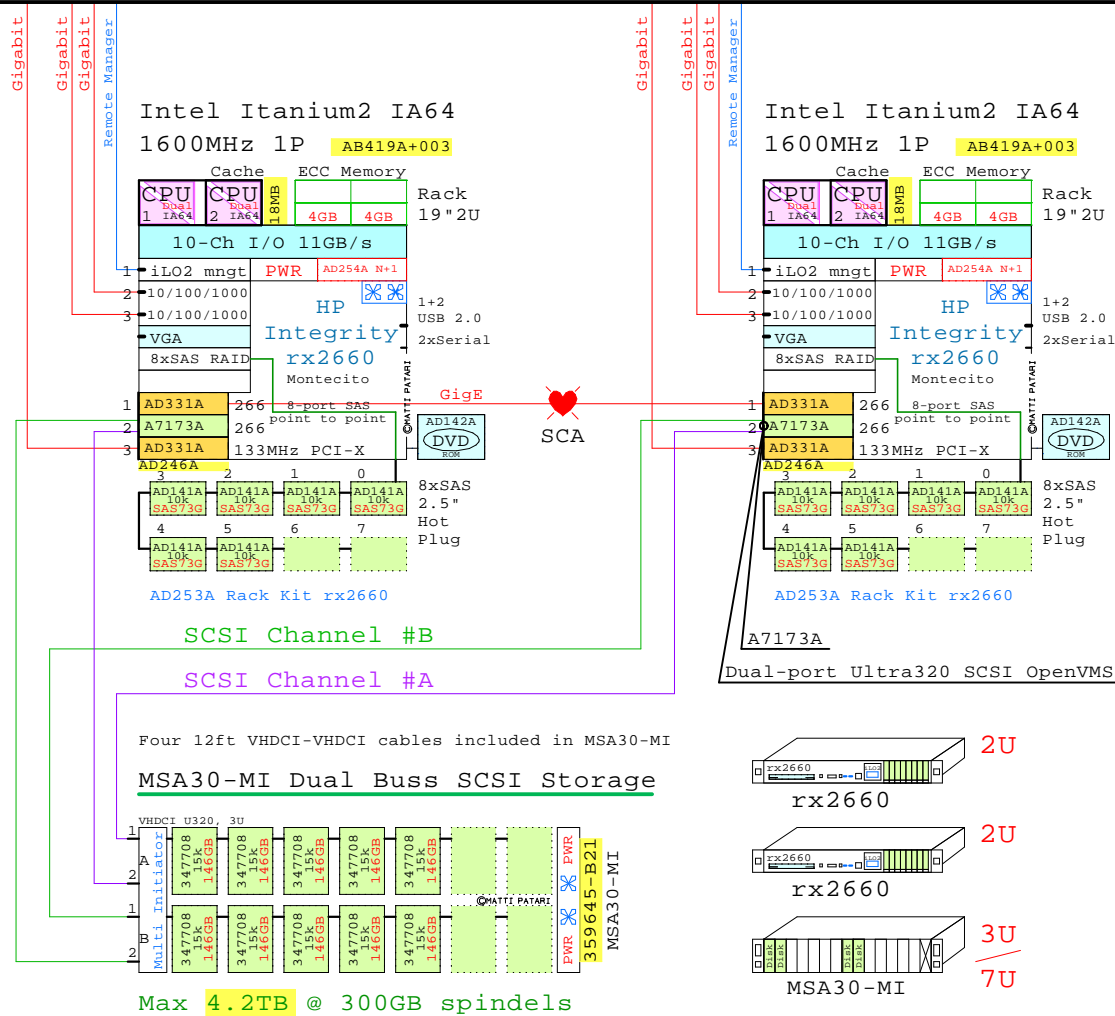
© 2006 Matti Patari, All rights reserved.

Page2

GOLDEN EGGS Visuals™ Helsinki	30-Jan-2007	GERx2660a-2
Matti.Patari@Kolumbus.fi		
HP Integrity rx2660 Base Systems		
GOLDEN EGGS Visuals, Helsinki		

rx2660 2P

HP Integrity rx2660 OpenVMS MSA30-MI SCSI Cluster



SCSI Disks

286778 15k 72GB	1.0"	286778-B22	72G 15k U320
347708 15k 146GB	1.0"	347708-B22	146G 15k U320
350964 10k 300GB	1.0"	350964-B22	300G 10k U320

Link to the most fresh version of this document:
<http://goldeneggs.spyderbyte.com/geggs/GERx2660x.pdf>

BOM for rx2660 MSA30-MI SCSI cluster above

	Part Number	Qty	Description
1	AB419A+003	1	HP rx2660 1P DC 1600MHz-18MB 0GB No disk
1.1	AB577A	1	1.6GHz-18MB DC Itanium2 Pr rx3600 rx2660
1.2	AD141A	6	HP 73GB SAS 10000r disk 2.5" rx3600
1.3	AD142A	1	DVD-ROM read only rx3600 rx6600
1.4	AD246A	1	I/O cage 3x PCI-X for rx2660
1.4.1	A7173A	1	Dual-port Ultra320 SCSI OpenVMS
1.4.2	AD331A	2	1000Base-TX Gigabit copper HP-UX,OVMS
1.5	AD254A	1	2nd Power supply rx2660
1.6	AD275A	2	Memory HP rx2660 4GB DDR2 2x2GB
2	AB419A+003	1	HP rx2660 1P DC 1600MHz-18MB 0GB No disk
2.1	AB577A	1	1.6GHz-18MB DC Itanium2 Pr rx3600 rx2660
2.2	AD141A	6	HP 73GB SAS 10000r disk 2.5" rx3600
2.3	AD142A	1	DVD-ROM read only rx3600 rx6600
2.4	AD246A	1	I/O cage 3x PCI-X for rx2660
2.4.1	A7173A	1	Dual-port Ultra320 SCSI OpenVMS
2.4.2	AD331A	2	1000Base-TX Gigabit copper HP-UX,OVMS
2.5	AD254A	1	2nd Power supply rx2660
2.6	AD275A	2	Memory HP rx2660 4GB DDR2 2x2GB
3	359645-B21	1	MSA30MI Multi Initiator Ultra320 7+7 1"
3.1	347708-B21	10	146.8GB 15000r U320 disk 1"
4	AD253A	2	Rack kit universal for rx2660

OpenVMS Software Media & Licenses:

Part Number	Qty	Description
BA453AC	2	HP VMS I64 FOE PPL LTU Max2 Sock w/Sys
BA322AA #0D1	1	HP VMS I64 FOE Factory Integrated Media
BA322AA #A24	1	HP VMS I64 FOE Version 8.3 Media
BA322AA #AJR	1	HP VMS I64 FOE DVD Media
BA412AC	4	HP Clusters PCL LTU VMS I64
BA420AA	2	HP Clusters VMS I64 Media
BA453AC	2	HP VMS I64 FOE PPL LTU Max2 Sock w/Sys
BA322AA #0D1	1	HP VMS I64 FOE Factory Integrated Media
BA322AA #A24	1	HP VMS I64 FOE Version 8.3 Media

For HP-UX, Windows and Linux Cluster solutions,
 please consult your local presales.

Golden Eggs home:
<http://goldeneggs.spyderbyte.com/>

© 2006 Matti Patari, All rights reserved.

GOLDEN EGGS Visuals™ Helsinki	30-Jan-2007	GTrx2660c
		Matti.Patari@Kolumbus.fi

HP Integrity rx2660 SCSI Cluster
 GOLDEN EGGS Visuals, Helsinki

rx2660 2P