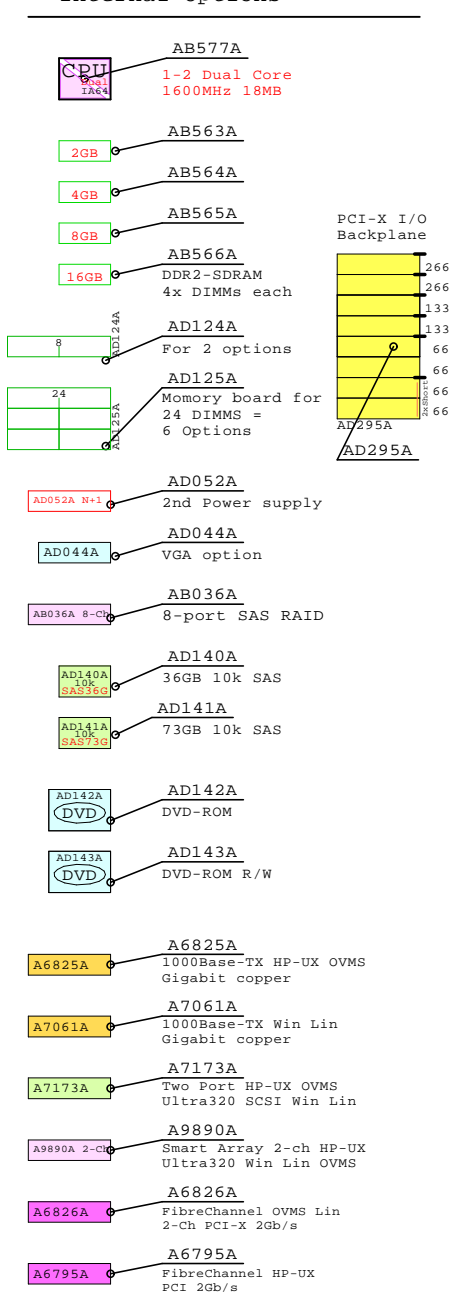
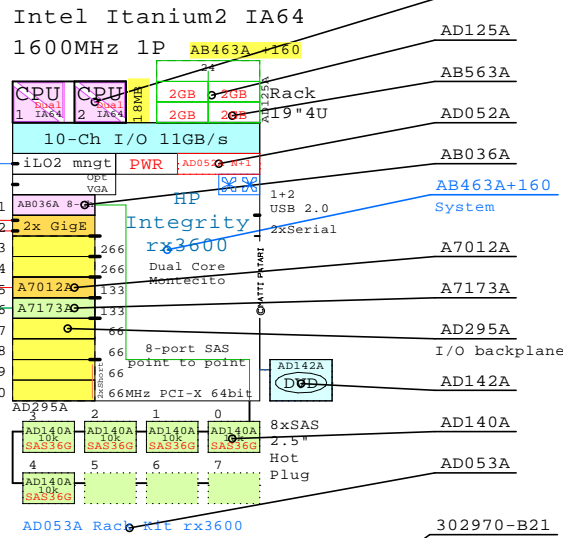


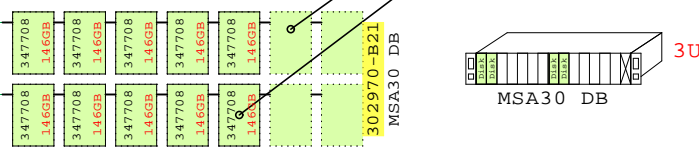
Internal Options:



Example Configuration



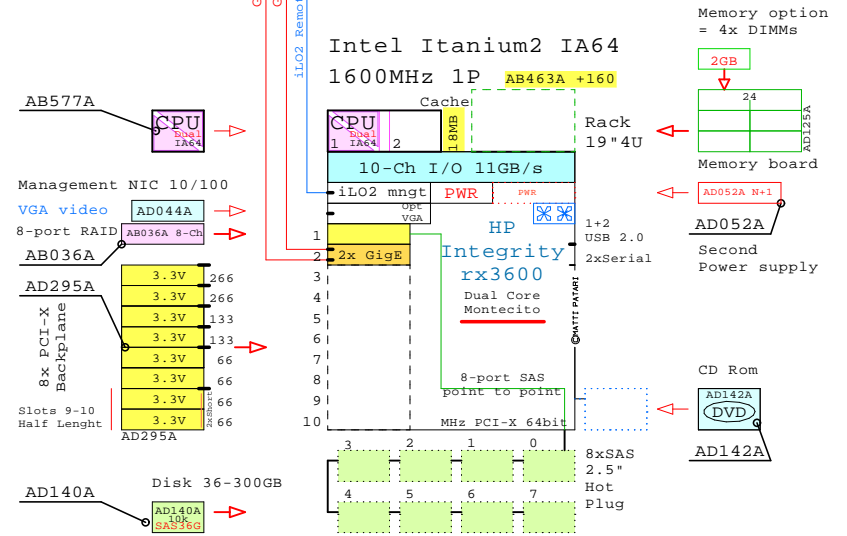
External Two Channel SCSI



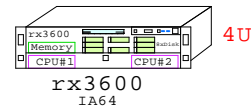
Parts list for the example rx3600 system above

Part Number	Qty	Description
1	1	AB463A+160 HP rx3600 1P DC 1600MHz-18MB 0GB No disk
1.1	1	AB036A 1 SAS cntrl 8-ch rx3600 UX Win Lin OVMS
1.2	1	AB577A 1 1.6GHz-18MB Processor DC Itanium2 Processor rx3600
1.3	1	AD052A 1 2nd Power supply rx3600 rx6600
1.4	1	AD125A 1 24 DIMM memory board 6 quads rx3600
1.4.1	4	AB563A 4 Memory quad 2GB DDR2 4x512MB rx3600 rx66
1.5	5	AD140A 5 HP 36GB SAS 10000r disk 2.5" rx3600
1.6	1	AD142A 1 DVD-ROM read only rx3600 rx6600
1.7	1	AD295A 1 I/O 8xPCI-X backplane rx3600
1.7.1	1	A7012A 1 2-port 1000Base-T Ethernet HP-UX,OVMS
1.7.2	1	A7173A 1 Dual-port Ultra320 SCSI OpenVMS
2	1	302970-B21 MSA30 Dual Buss Ultra320 7+7 1"
2.1	10	347708-B21 10 146.8GB 15000r U320 disk 1"
3	1	AD053A 1 Rack kit universal for rx3600 rx6600

1600MHz IA64 Montecito



More rx3600 systems are serviced on page 2.



HP UX 11i version 2
Windows Server 2003 EE
Linux RHEL 4 and SLES 10
OpenVMS V8.3

Golden Eggs home:
<http://goldeneggs.spyderbyte.com/>

<http://www.LinuxHPC.org>
<http://www.WinHPC.org>
<http://www.OpenVMS.org>

Your comments are appreciated.
Matti.Patari@Kolumbus.Fi GE-Painter.

© 2006 Matti Patari, All rights reserved.

Page1

GOLDEN EGGS Visuals™ Helsinki	22-Nov-2006	GERx3600a Matti.Patari@Kolumbus.fi
-------------------------------	-------------	---------------------------------------

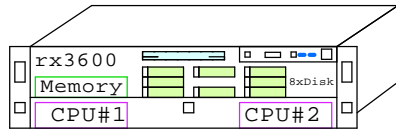
HP Integrity rx3600 System
GOLDEN EGGS Visuals, Helsinki

First rev 22-Nov-06

For more detailed configuring, please consult the latest HP QuickSpecs.
Detailed configurations are serviced also at: <http://www.VisioCafe.com>
Printed with Golden Eggs Software: 08-Nov-2006

Link to the most fresh version of this document:
<http://goldeneggs.spyderbyte.com/geggs/GERx3600x.pdf>

rx3600 2P

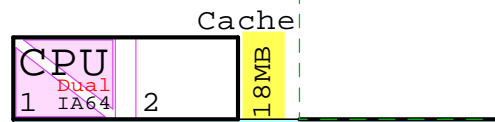
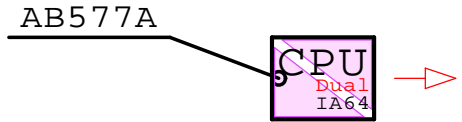


rx3600
IA64

4U

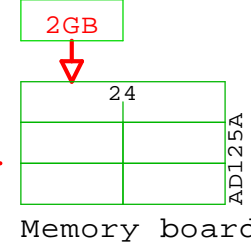
1600MHz IA64 Montecito

Intel Itanium2 IA64
1600MHz 1P **AB463A +160**



Rack
19" 4U

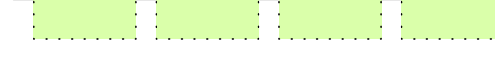
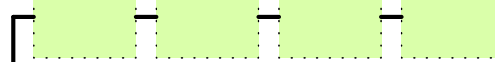
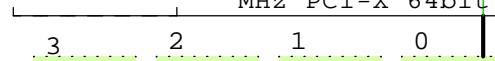
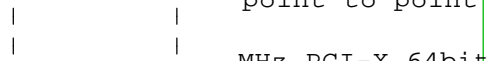
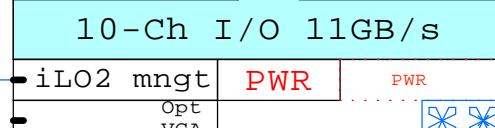
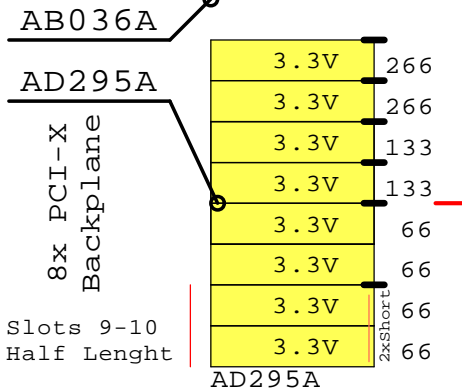
Memory option
= 4x DIMMs



Management NIC 10/100

VGA video AD044A

8-port RAID AB036A 8-Ch



AD052A N+1

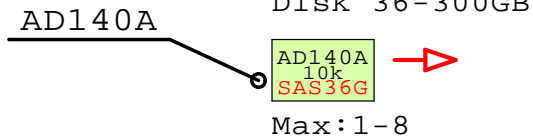
AD052A

Second
Power supply

CD Rom



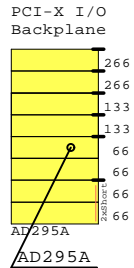
AD142A



Golden Eggs home:
<http://goldeneggs.spyderbyte.com/>

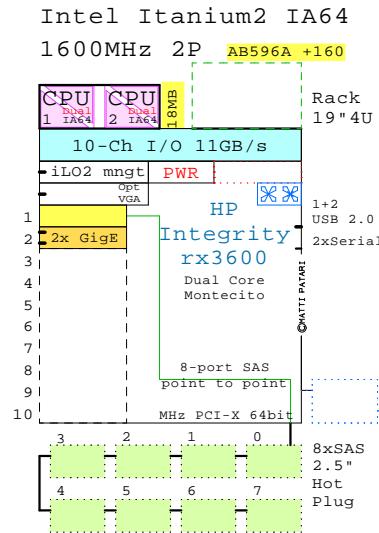
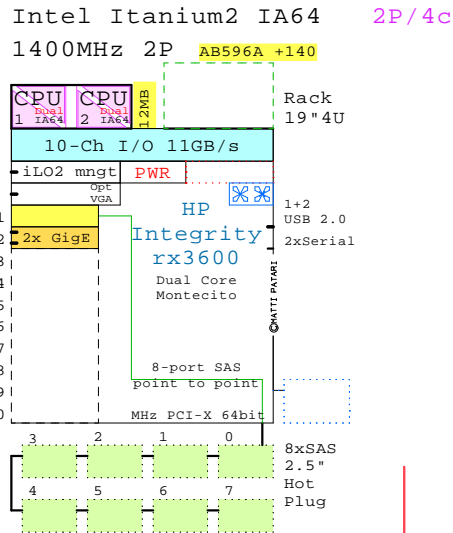
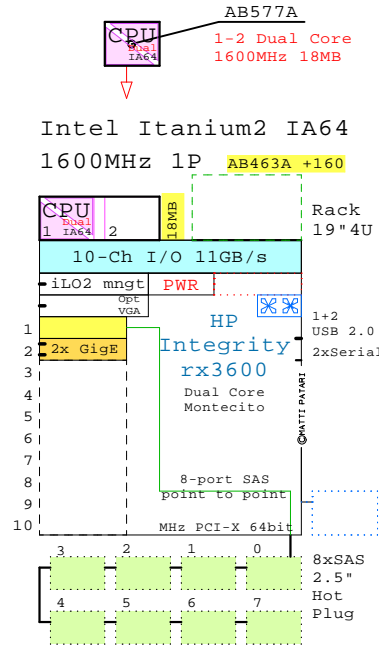
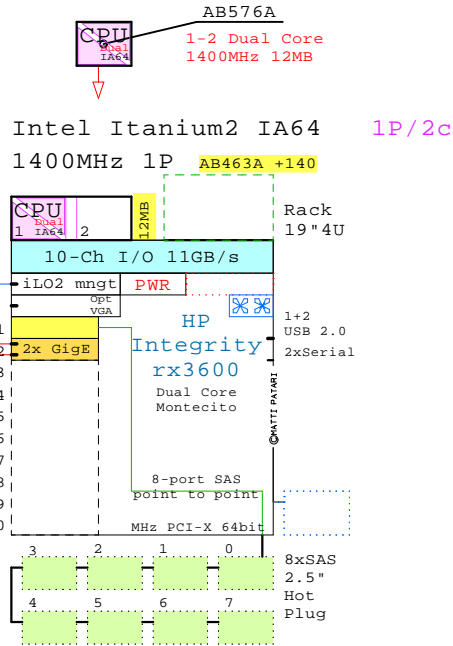
Internal Options:

- AB563A → 2GB
- AB564A → 4GB
- AB565A → 8GB
- AB566A → 16GB
- AD124A → For 2 options
- AD125A → Memory board for 24 DIMMS = 6 Options
- AD052A → 2nd Power supply
- AD044A → VGA option
- AB036A → 8-port SAS RAID
- AD140A → 36GB 10k SAS
- AD141A → 73GB 10k SAS
- AD142A → DVD-ROM
- AD143A → DVD-ROM R/W
- A6825A → 1000Base-TX HP-UX OVMS Gigabit copper
- A7061A → 1000Base-TX Win Lin Gigabit copper
- A7173A → Two Port HP-UX OVMS Ultra320 SCSI Win Lin
- A9890A → Smart Array 2-ch HP-UX Ultra320 Win Lin OVMS
- A6826A → FibreChannel OVMS Lin 2-Ch PCI-X 2Gb/s
- A6795A → FibreChannel HP-UX PCI 2Gb/s



1400/1600MHz Montecito rx3600 Base Systems

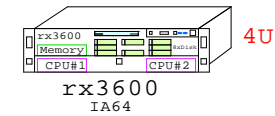
Gigabit
Gigabit
Remote Manager



This Golden Eggs document is tailored to "navigate" you to the suitable base system in rx3600 server family. On the left pillar most common options are serviced in GE-flash and colours. **Choose your colours now.**

Base System and add-on CPU numbers

Part Number	Qty	Description
AB463A+140	1	HP rx3600 1P DC 1400MHz-12MB 0GB No disk
AB463A+160	1	HP rx3600 1P DC 1600MHz-18MB 0GB No disk
AB576A	1	1.4GHz-12MB DC Itanium2 Processor rx3600
AB577A	1	1.6GHz-18MB DC Itanium2 Processor rx3600
AB596A+140	1	HP rx3600 2P DC 1400MHz-12MB 0GB No disk
AB596A+160	1	HP rx3600 2P DC 1600MHz-18MB 0GB No disk



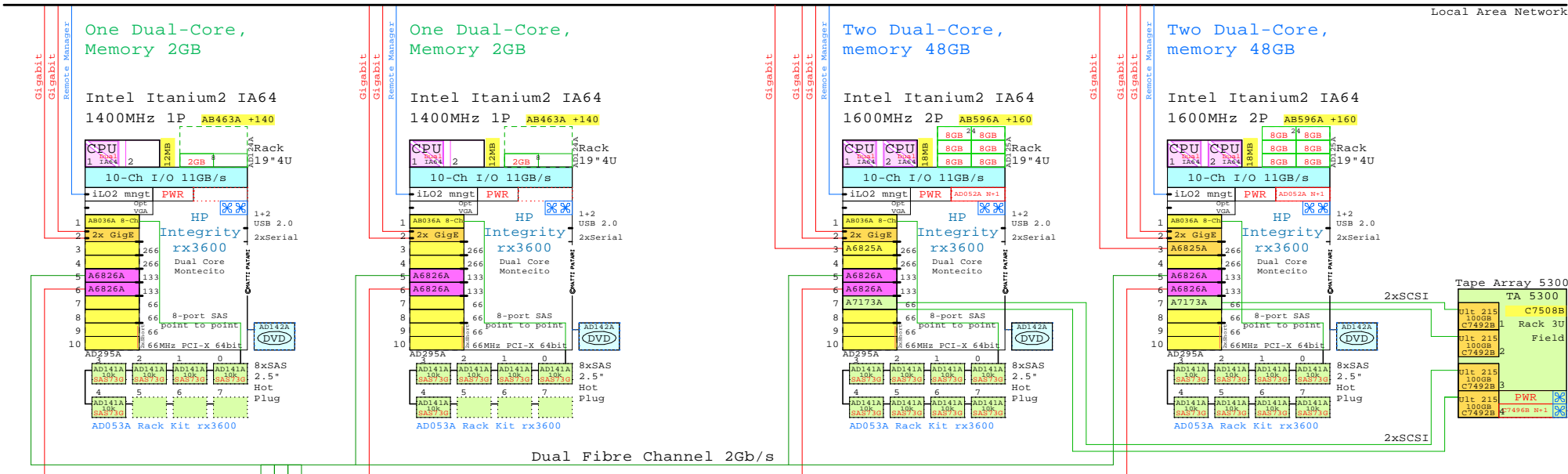
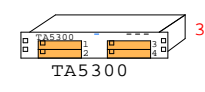
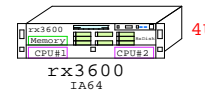
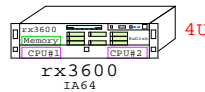
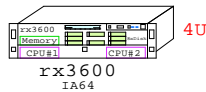
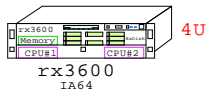
Golden Eggs home:
<http://goldeneggs.spyderbyte.com/>

Your comments are appreciated.
Matti.Patari@Kolumbus.Fi GE-Painter.

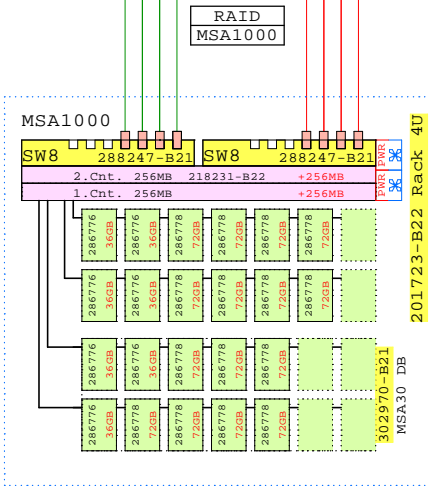
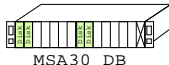
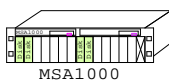
© 2006 Matti Patari, All rights reserved.

GOLDEN EGGS Visuals™ Helsinki	22-Nov-2006	GERx3600a-2
		Matti.Patari@Kolumbus.fi

Integrity rx3600 MSA1000 Cluster



Storage



Parts list for One Server, Mem 2GB, Left

Part Number	Qty	Description
1	1	AB463A+140 1 HP rx3600 1P DC 1400MHz-12MB 0GB No disk
1.1	1	AB036A 1 SAS cntrl 8-ch rx3600 UX Win Lin OVMS
1.2	1	AD124A 1 8 DIMM memory board 2 quads rx3600
1.2.1	1	AB563A 1 Memory quad 2GB DDR2 4x512MB rx3600 rx660
1.3	5	AD141A 5 HP 73GB SAS 10000r disk 2.5" rx3600
1.4	1	AD142A 1 DVD-ROM read only rx3600 rx6600
1.5	1	AD295A 1 I/O 8xPCI-X backplane rx3600
1.5.1	2	A6826A 2 PCI-X 2Gb/s 2-ch FibreChan Lin OVMS
2	1	AD053A 1 Rack kit universal for rx3600 rx6600

Parts list for the Tape Array

Part Number	Qty	Description
1	1	C7508B 1 HP Tape Array 5300 Rack 3U no Dri field
1.1	4	C7492B 4 HP Ultrium 215 100GB array module
1.2	1	C7496B 1 HP Tape Array 5300 2nd power and fan

Parts list for the Shared Storage

Part Number	Qty	Description
1	1	201723-B22 1 MSA1000 RAID Array 256MB Rack 4U
1.1	1	218231-B22 1 MSA1000 Redundant Controller 256MB
1.1.1	1	254786-B21 1 256MB cache module for Smart Array cntrl
1.2	1	254786-B21 1 256MB cache module for Smart Array cntrl
1.3	2	286776-B22 4 36GB 15000r U320 disk 1"
1.4	2	286778-B22 8 72.8GB 15000r U320 disk 1"
1.5	2	288247-B21 2 MSA1000 SAN Switch 2/8
1.6	1	302970-B21 1 MSA30 Dual Buss Ultra320 7+7 1"
1.6.1	3	286776-B22 3 36GB 15000r U320 disk 1"
1.6.2	7	286778-B22 7 72.8GB 15000r U320 disk 1"

Parts list for One Server, Mem 48GB, Right

Part Number	Qty	Description
1	1	AB596A+160 1 HP rx3600 2P DC 1600MHz-18MB 0GB No disk
1.1	1	AB036A 1 SAS cntrl 8-ch rx3600 UX Win Lin OVMS
1.2	2	AD052A 1 2nd Power supply rx3600 rx6600
1.3	1	AD125A 1 24 DIMM memory board 6 quads rx3600
1.3.1	6	AB565A 6 Memory quad 8GB DDR2 4x2GB rx3600 rx6600
1.4	8	AD141A 8 HP 73GB SAS 10000r disk 2.5" rx3600
1.5	1	AD142A 1 DVD-ROM read only rx3600 rx6600
1.6	1	AD295A 1 I/O 8xPCI-X backplane rx3600
1.6.1	1	A6825A 1 1000Base-TX Gigabit copper HP-UX, OVMS
1.6.2	2	A6826A 2 PCI-X 2Gb/s 2-ch FibreChan Lin OVMS
1.6.3	1	A7173A 1 Dual-port Ultra320 SCSI OpenVMS
2	1	AD053A 1 Rack kit universal for rx3600 rx6600

Golden Eggs home:
<http://goldeneggs.spyderbyte.com/>

Your comments are appreciated.
 Matti.Patari@Kolumbus.Fi GE-Painter.

© 2006 Matti Patari, All rights reserved.

GOLDEN EGGS Visuals™ Helsinki	22-Nov-2006	GTrx3600c
		Matti.Patari@Kolumbus.Fi

Integrity rx3600 MSA1000 Cluster
 GOLDEN EGGS Visuals, Helsinki

rx3600 2P