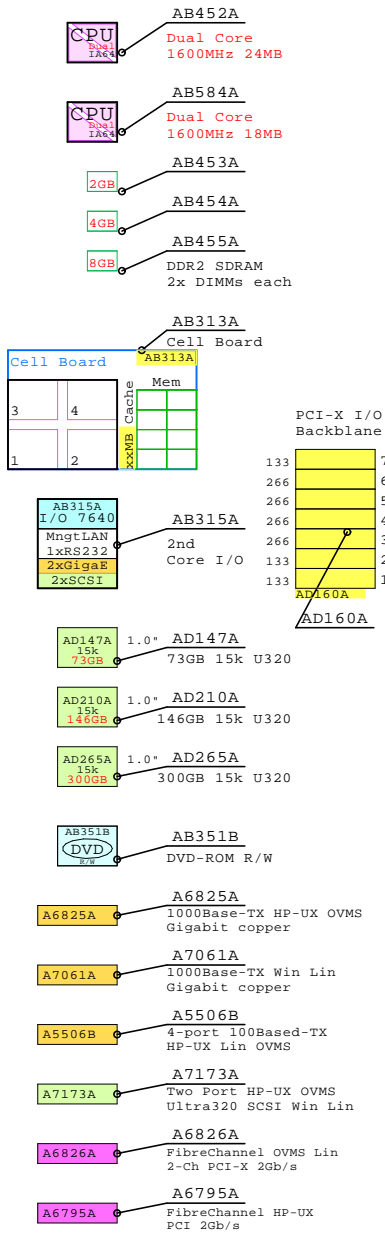
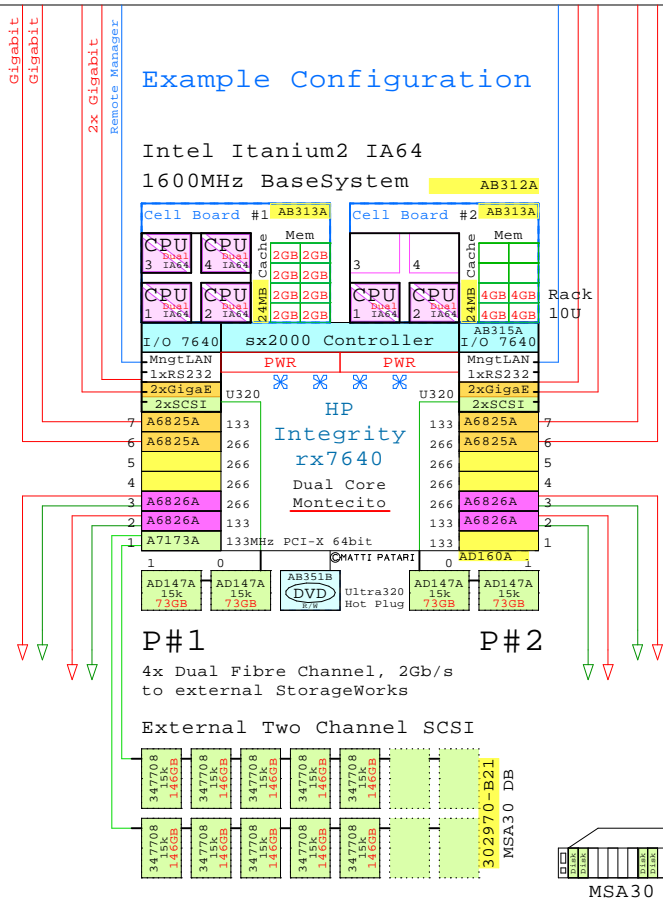


Internal Options:

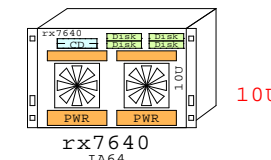
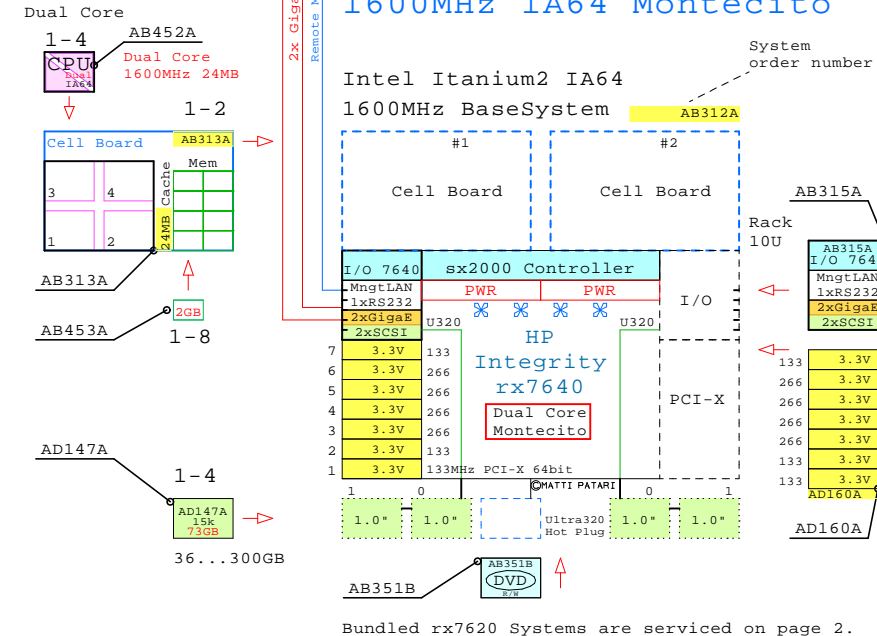


Example Configuration



BOM for this rx7640 system above

Part Number	Qty	Description
1	AB312A	1 HP rx7640 BaseSystem_NO Cell,Mem,IO,Disk
1.1	A6825A	2 1000Base-TX Gigabit copper HP-UX,OVMS
1.2	A6826A	2 PCI-X 2Gb/s 2-ch FibreChan Lin OVMS
1.3	A7173A	1 Dual-port Ultra320 SCSI OpenVMS
1.4	AB313A	1 Cell Board HP rx7640/8640 NO CPU,Mem
1.4.1	AB452A	4 1.6GHz-24MB DC Itanium2 Montecito rx7640
1.4.2	AB453A	8 Memory 2GB rx7640/8640 DRAM2 2x1GB pair
1.5	AB313A	1 Cell Board HP rx7640/8640 NO CPU,Mem
1.5.1	AB452A	2 1.6GHz-24MB DC Itanium2 Montecito rx7640
1.5.2	AB454A	4 Memory 4GB rx7640/8640 DRAM2 2x2GB pair
1.6	AB315A	1 Core I/O HP rx7640, LAN iLo U320 Console
1.7	AB351B	1 DVD+RW rx7640
1.8	AD147A	4 73GB 15000r U320 Hot-Plug rx7620
1.9	AD160A	1 HP I/O Backplane 8xPCI-X rx7640/8640
1.9.1	A6825A	2 1000Base-TX Gigabit copper HP-UX,OVMS
1.9.2	A6826A	2 PCI-X 2Gb/s 2-ch FibreChan Lin OVMS
2	302970-B21	1 MSA30 Dual Buss Ultra320 7+7 1"
2.1	347708-B21	10 146.8GB 15000r U320 disk 1"



HP UX 11i version 2
Windows Server 2003 EE
Linux
OpenVMS V8.3

Golden Eggs home:
<http://goldeneggs.spyderbyte.com/>

<http://www.LinuxHPC.org>
<http://www.WinHPC.org>
<http://www.OpenVMS.org>

Your comments are appreciated.
Matti.Patari@Kolumbus.Fi GE-Painter.

© 2006 Matti Patari, All rights reserved.

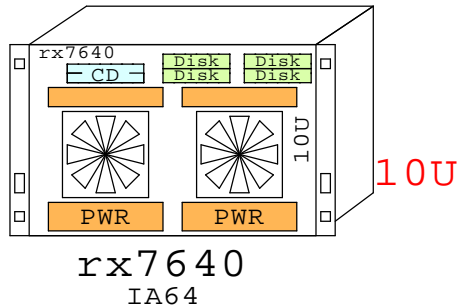
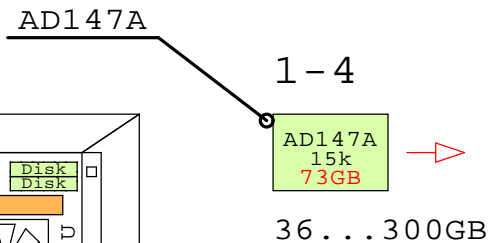
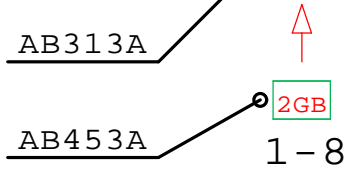
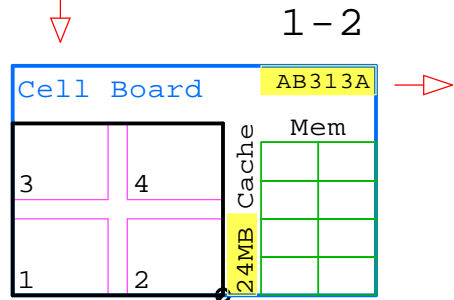
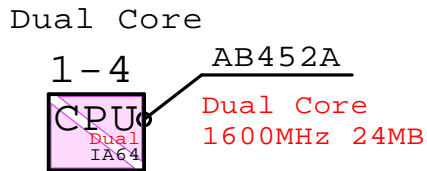
GOLDEN EGGS Visuals™ Helsinki	07-Dec-2006	GERx7640a
Matti.Patari@Kolumbus.Fi		

HP Integrity rx7640 1600MHz IA64
GOLDEN EGGS Visuals, Helsinki

For more detailed configuring, please consult the latest HP QuickSpecs. Detailed configurations are serviced also at: <http://www.VisioCafe.com>
Printed with Golden Eggs Software: 07-Dec-2006
All trademarks in this document are those of their owners.

Link to the most fresh version of this document:
<http://goldeneggs.spyderbyte.com/geggs/GERx7640x.pdf>

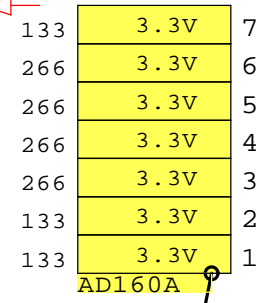
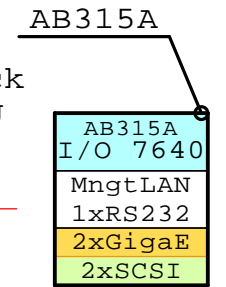
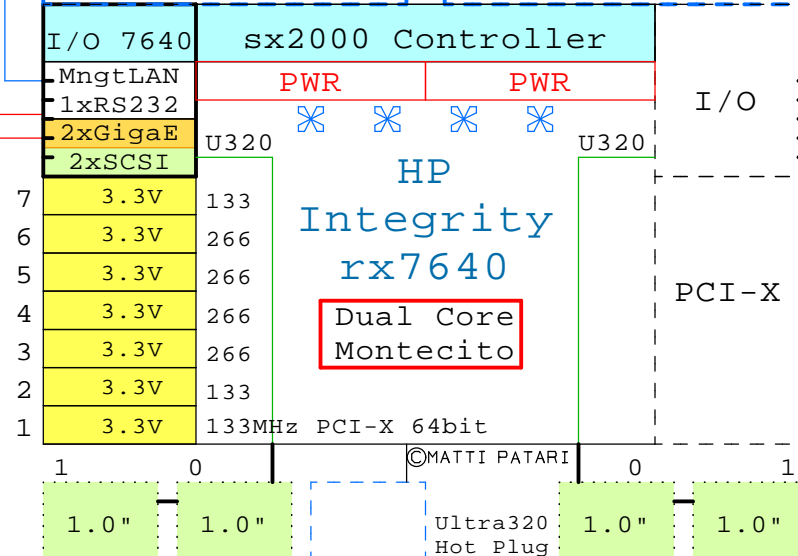
1600MHz IA64 Montecito



2x Gigabit
Remote Manager

Intel Itanium2 IA64
1600MHz BaseSystem

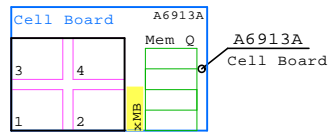
System order number



Golden Eggs home:
<http://goldeneggs.spyderbyte.com/>

Internal Options:

- A9767A**
Dual Core
1100MHz 4MB
- AB548A**
Single Core Pair
1600MHz 6MB
- AB307A**
2GB
- AB308A**
4GB
- AB309A**
8GB
- AB322A**
16GB
- DDR-SDRAM
4x DIMMs each

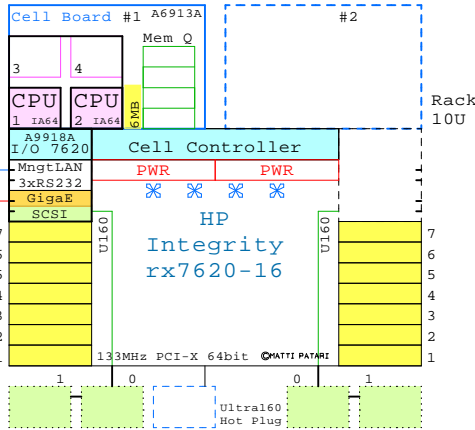


- A9918A**
Core I/O
- AD147A** 1.0* **AD147A**
15k 73GB U320
- AD148A** 1.0* **AD148A**
10k 146GB U320
- AD149A** 1.0* **AD149A**
10k 300GB U320
- AB351A**
DVD-ROM

- A6825A**
1000Base-TX HP-UX OVMS
Gigabit copper
- A7061A**
1000Base-TX Win Lin
Gigabit copper
- A5506B**
4-port 100Based-TX
HP-UX Lin OVMS
- A7173A**
Two Port HP-UX OVMS
Ultra320 SCSI Win Lin
- A6826A**
FibreChannel OVMS Lin
2-Ch PCI-X 2Gb/s
- A6795A**
FibreChannel HP-UX
PCI 2Gb/s

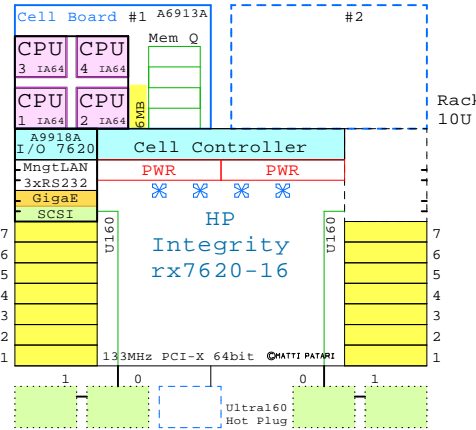
2-way, No Memory

Intel Itanium2 IA64
1600MHz 2P Bundle **AB201A +005**



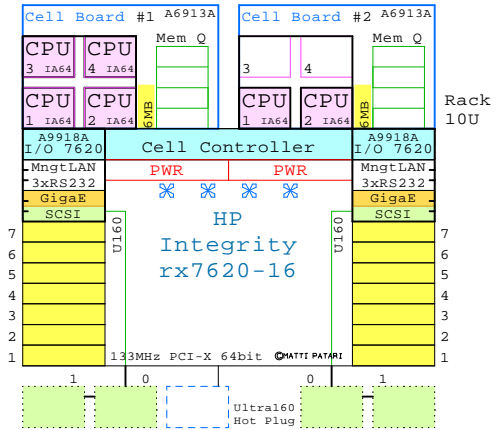
4-way

Intel Itanium2 IA64
1600MHz 4P Bundle **AB202A +005**



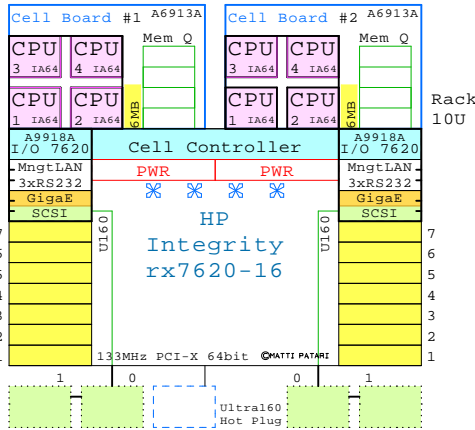
6-way

Intel Itanium2 IA64
1600MHz 6P Bundle **AB203A +005**



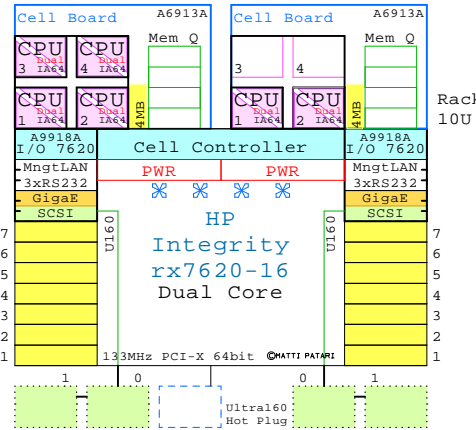
8-way

Intel Itanium2 IA64
1600MHz 8P Bundle **AB204A +005**



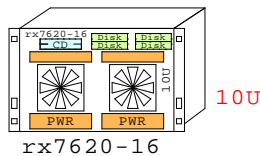
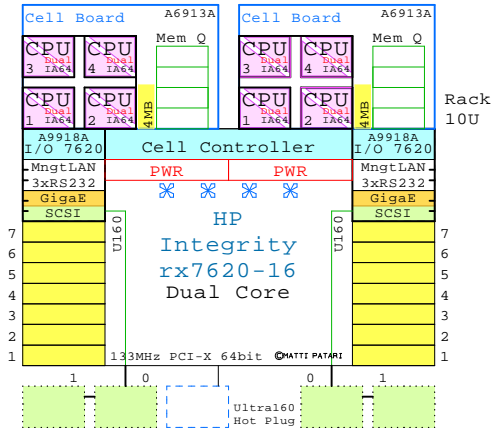
12-way

Intel Itanium2 IA64 Dual Core
1100MHz 6P Bundle **AB343A +005**



16-way

Intel Itanium2 IA64 Dual Core
1100MHz 8P Bundle **AB344A +005**



For Golden Eggs:
<http://www.LinuxHPC.org>
<http://www.WindowsHPC.org>
<http://www.OpenVMS.org>

When this diagram has supported your planning process, please let me know. Your comments are appreciated.
Matti.Patari@Kolumbus.Fi GE-Painter.

© 2006 Matti Patari, All rights reserved.

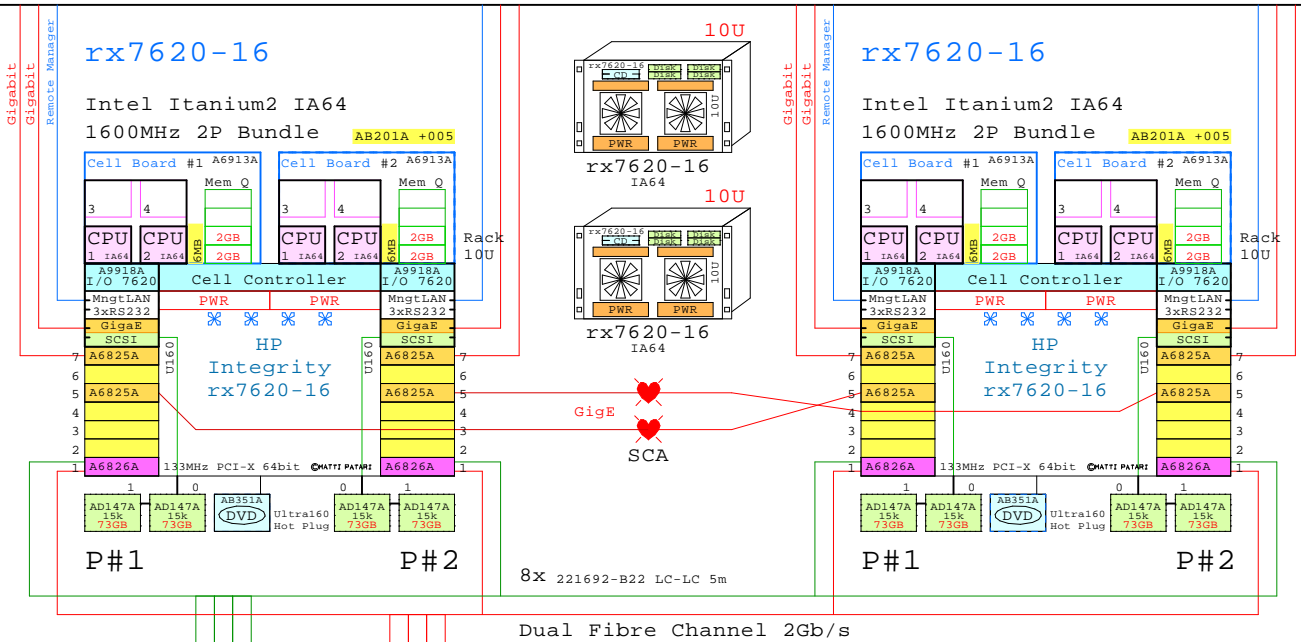
GOLDEN EGGS Visuals™ Helsinki	04-Apr-2006	GERx7620a-2
Matti.Patari@Kolumbus.fi		

HP Integrity rx7620 Base Systems
GOLDEN EGGS Visuals, Helsinki

For more detailed configuring, please consult the latest HP QuickSpecs. Detailed configurations are serviced at: <http://www.VisioCafe.com>
Printed with Golden Eggs Software: 03-Apr-2006
All trademarks in this document are those of their owners.

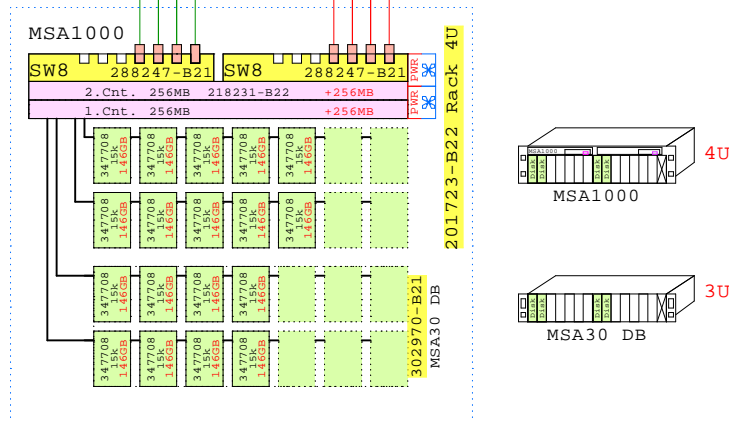
HP Integrity Dual rx4620-16 & MSA1000 OpenVMS Cluster

Local Area Network



BOM for this Cluster HW

Part Number	Qty	Description
1	201723-B22	1 MSA1000 RAID Array 256MB Rack 4U
1.1	218231-B22	1 MSA1000 Redundant Controller 256MB
1.1.1	254786-B21	1 256MB cache module for Smart Array cntrl
1.2	254786-B21	1 256MB cache module for Smart Array cntrl
1.3	288247-B21	2 MSA1000 SAN Switch 2/8
1.4	302970-B21	1 MSA30 Dual Buss Ultra320 7+7 1"
1.4.1	347708-B21	8 146.8GB 15000r U320 disk 1"
1.5	347708-B21	10 146.8GB 15000r U320 disk 1"
2	AB201A+005	1 HP rx7620-16 2-Way SC 1600MHz 6MB,NO Mem
2.1	A6825A	4 1000Base-TX Gigabit copper HP-UX,OVMS
2.2	A6826A	2 PCI-X 2Gb/s 2-ch FibreChan Lin OVMS
2.3	A6913A	1 Cell Board HP rx7620-16 NO CPU,Mem
2.3.1	AB307A	2 Memory HP rx7620 2GB DRAM 4x512MB, quad
2.3.2	AB548A	1 1.6GHz-6MB 2xSC Itanium2 Processor rx762
2.4	A9918A	1 Core I/O HP rx7620, LAN iLo UI60 Console
2.5	AB307A	2 Memory HP rx7620 2GB DRAM 4x512MB, quad
2.6	AB351A	1 DVD+RW rx7620-16
2.7	AD147A	4 73GB 15000r U320 Hot-Plug rx7620
3	AB201A+005	1 HP rx7620-16 2-Way SC 1600MHz 6MB,NO Mem
3.1	A6825A	4 1000Base-TX Gigabit copper HP-UX,OVMS
3.2	A6826A	2 PCI-X 2Gb/s 2-ch FibreChan Lin OVMS
3.3	A6913A	1 Cell Board HP rx7620-16 NO CPU,Mem
3.3.1	AB307A	2 Memory HP rx7620 2GB DRAM 4x512MB, quad
3.3.2	AB548A	1 1.6GHz-6MB 2xSC Itanium2 Processor rx762
3.4	A9918A	1 Core I/O HP rx7620, LAN iLo UI60 Console
3.5	AB307A	2 Memory HP rx7620 2GB DRAM 4x512MB, quad
3.6	AB351A	1 DVD+RW rx7620-16
3.7	AD147A	4 73GB 15000r U320 Hot-Plug rx7620
4	221692-B22	8 FC ShortWave 5m cable LC-LC 2Gb-2Gb



For Golden Eggs:
<http://www.LinuxHPC.org>
<http://www.WinHPC.org>
<http://www.OpenVMS.org>

<http://goldeneggs.spyderbyte.com/>

When this diagram has supported your planning process, please let me know. Your comments are appreciated.
 Matti.Patari@Kolumbus.Fi GE-Painter.

© 2006 Matti Patari, All rights reserved.

GOLDEN EGGS Visuals™ Helsinki	04-Apr-2006	GTrx7620c
		Matti.Patari@Kolumbus.fi

Integrity rx7620 MSA1000 Cluster
 GOLDEN EGGS Visuals, Helsinki

For more detailed configuring, please consult the latest HP QuickSpecs. Detailed configurations are serviced at: <http://www.VisioCafe.com>
 Painted with Golden Eggs Software: 03-Apr-2006
 All trademarks in this document are those of their owners.

<http://goldeneggs.spyderbyte.com/> rx7620-16 8P