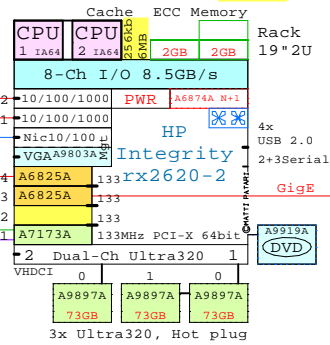


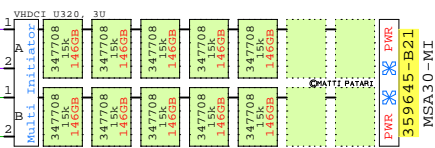
MSA30-MI SCSI Cluster

Intel Itanium2 IA64
1600MHz 1P



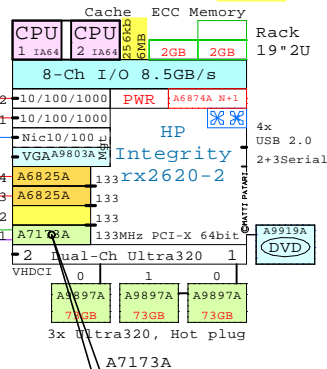
SCSI Channel #B
SCSI Channel #A

Four 12ft VHDCI-VHDCI cables included in MSA30-MI
MSA30-MI Dual Buss SCSI Storage

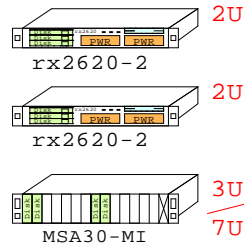


Max 4.2TB @ 300GB spindles

Intel Itanium2 IA64
1600MHz 1P



Dual-port Ultra320 SCSI OpenVMS

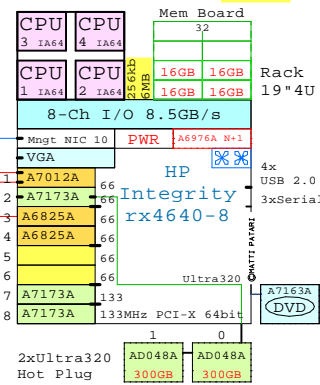


SCSI Disks

286776	1.0"	286776-B22
15k		36G 15k U320
286778	1.0"	286778-B22
15k		72G 15k U320
347708	1.0"	347708-B22
15k		146G 15k U320
350964	1.0"	350964-B22
10k		300G 10k U320

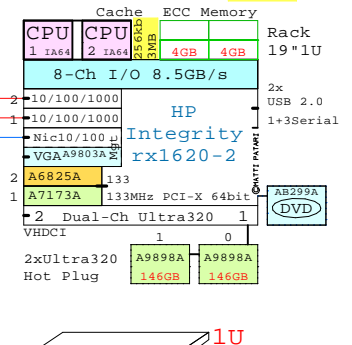
Optional Cluster Nodes

Intel Itanium2 IA64
1600MHz



rx4640-8

Intel Itanium2 IA64
1600MHz 1P



rx1620-2

BOM for one rx4640-8 host

Part Number	Qty	Description
1	1	AB370B 1 HP rx4640-8 Base, no CPU, Mem, Disk, CD
1.1	2	A6825A 2 1000Base-TX Gigabit copper HP-UX
1.2	1	A6976A 1 2nd Power supply rx4640-8
1.3	1	A7163A 1 DVD-ROM read only rx4640-8
1.4	1	A7173A 2 Dual-port Ultra320 SCSI OpenVMS
1.5	4	A9898A 4 1.6GHz-6MB SC Itanium2 Processor rx4640
1.6	1	A9732A 2 Memory HP rx4640 16GB DDR 4x4GB, quad
1.6.1	4	AB475A 4 Memory HP rx4640 16GB DDR 4x4GB, quad
1.7	2	AD048A 2 300GB 10000r U320 disk rx2620

BOM for one rx1620-2 host

Part Number	Qty	Description
1	1	AB431A 1 HP rx1620-2 1P 1600MHz-3MB 0GB
1.1	1	A6825A 1 1000Base-TX Gigabit copper HP-UX
1.2	1	A7173A 1 Dual-port Ultra320 SCSI OpenVMS
1.3	1	A9803A 1 rx2620 Management Option, NIC VGA
1.4	2	A9898A 2 146GB 10000r U320 disk rx2600
1.5	2	AB224A 2 Memory HP rx1620 4GB DDR 2x2GB
1.6	1	AB299A 1 DVD-ROM Slimline rx1600
1.7	1	AB482A 1 1.6GHz-3MB Itanium2 Processor rx1620

When this diagram has supported your planning process, please let me know. Your comments are appreciated. Matti.Patari@Kolumbus.Fi GB-Painter.

© 2006 Matti Patari, All rights reserved.

GOLDEN EGGS Visuals™ Helsinki	28-Mar-2006	GTMSA30MI Matti.Patari@Kolumbus.fi
-------------------------------	-------------	---------------------------------------

MSA30 Two Node Integrity Clusters
GOLDEN EGGS Visuals, Helsinki

First rev 22-Mar-06

BOM for MSA30-MI SCSI cluster above

Part Number	Qty	Description
1	1	AB331A 1 HP rx2620-2 1P 1600MHz-6MB 0GB
1.1	2	A6825A 2 1000Base-TX Gigabit copper HP-UX
1.2	1	A6874A 1 2nd Power supply rx2600
1.3	1	A7173A 1 Dual-port Ultra320 SCSI OpenVMS
1.4	1	A9803A 1 rx2620 Management Option, NIC VGA
1.5	3	A9897A 3 73GB 15000r U320 disk rx2600
1.6	1	A9919A 1 DVD-ROM rx2600
1.7	1	AB334A 1 1.6GHz-6MB Itanium2 Processor rx2620
1.8	2	AB396A 2 Memory HP rx2620 2GB DDR 4x512MB
2	1	AB331A 1 HP rx2620-2 1P 1600MHz-6MB 0GB
2.1	2	A6825A 2 1000Base-TX Gigabit copper HP-UX
2.2	1	A6874A 1 2nd Power supply rx2600
2.3	1	A7173A 1 Dual-port Ultra320 SCSI OpenVMS
2.4	1	A9803A 1 rx2620 Management Option, NIC VGA
2.5	3	A9897A 3 73GB 15000r U320 disk rx2600
2.6	1	A9919A 1 DVD-ROM rx2600
2.7	1	AB334A 1 1.6GHz-6MB Itanium2 Processor rx2620
2.8	2	AB396A 2 Memory HP rx2620 2GB DDR 4x512MB
3	1	359645-B21 1 MSA30MI Multi Initiator Ultra320 7+7 1"
3.1	10	347708-B21 10 146.8GB 15000r U320 disk 1"

Software Media & Licenses:

Part Number	Qty	Description
BA453AC	2	HP VMS I64 FOE PPL LTU Max2 Sock w/Sys
BA322AA #0D1	1	HP VMS I64 FOE Factory Integrated Media
BA322AA #A24	1	HP VMS I64 FOE Version 8.2-1 Media
BA322AA #AJR	1	HP VMS I64 FOE DVD Media
BA412AC	4	HP Clusters PCL LTU VMS I64
BA420AA	2	HP Clusters VMS I64 Media
BA453AC	2	HP VMS I64 FOE PPL LTU Max2 Sock w/Sys
BA322AA #0D1	1	HP VMS I64 FOE Factory Integrated Media
BA322AA #A24	1	HP VMS I64 FOE Version 8.2-1 Media

For more detailed configuring, please consult the latest HP QuickSpecs.
Painted with Golden Eggs Software: 22-Mar-2006
All trademarks in this document are those of their owners.

<http://goldeneggs.spyderbyte.com/>

MSA30-MI SCSI

MSA30-MI SCSI Cluster
Optional Cluster Nodes
SCSI Disks
BOM for one rx4640-8 host
BOM for one rx1620-2 host
BOM for MSA30-MI SCSI cluster above
Software Media & Licenses:
BOM for one rx4640-8 host
BOM for one rx1620-2 host