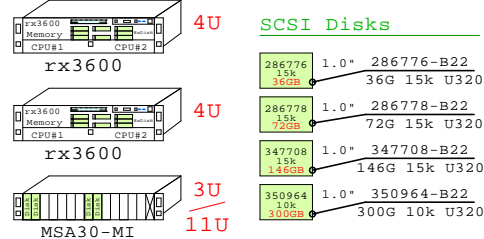
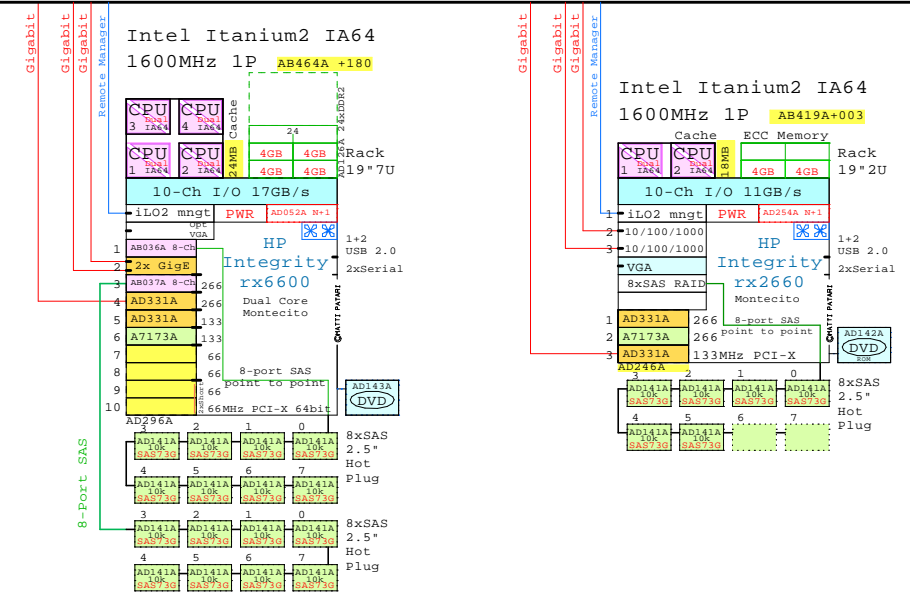
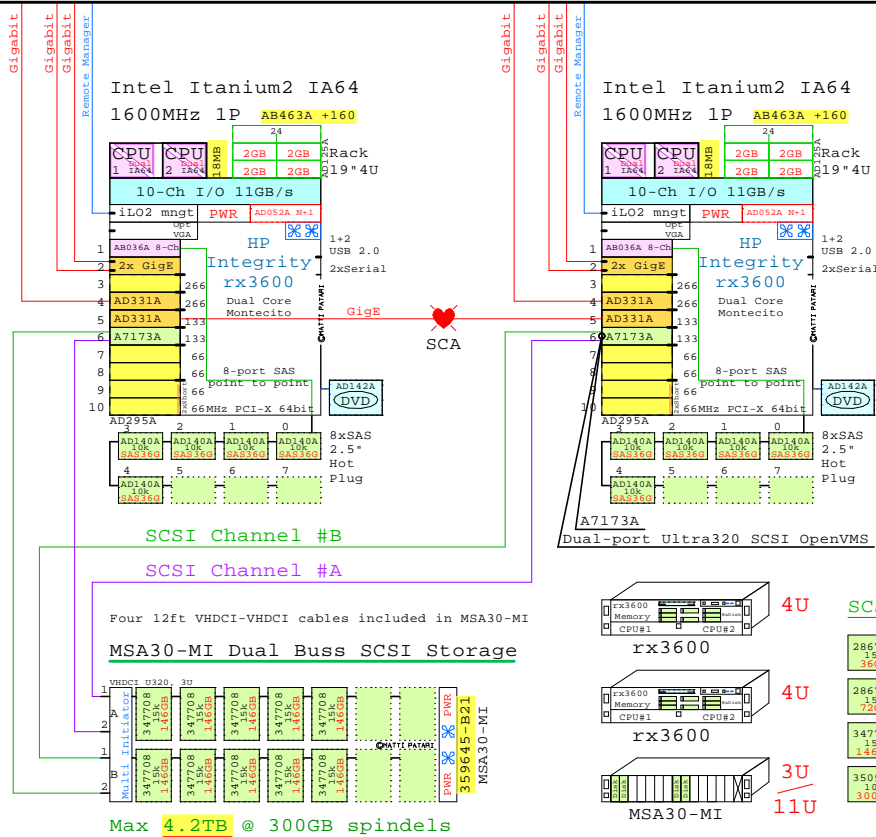


Integrity rx3660 MSA30-MI SCSI Cluster

Optional rx6600 and rx2660 Cluster Nodes



BOM for rx3660 MSA30-MI SCSI cluster above

Part Number	Qty	Description
1	1	AB463A+160 1 HP rx3660 1P DC 1600MHz-18MB 0GB No disk
1.1	1	AB036A 1 SAS cntrl 8-ch rx3600 UX Win Lin OVMS
1.2	1	AB577A 1 1.6GHz-18MB DC Itanium2 Processor rx3600
1.3	1	AD052A 1 2nd Power supply rx3600 rx6600
1.4	1	AD125A 1 24 DIMM memory board 6 quads rx3600
1.4.1	4	AB563A 4 Memory quad 2GB DDR2 4x512MB rx3600 rx6600
1.5	1	AD140A 5 HP 36GB SAS 10000r disk 2.5" rx3600
1.6	1	AD142A 1 DVD-ROM read only rx3600 rx6600
1.7	1	AD295A 1 I/O 8xPCI-X backplane rx3600
1.7.1	1	A7173A 1 Dual-port Ultra320 SCSI OpenVMS
1.7.2	2	AD331A 2 1000Base-TX Gigabit copper HP-UX,OVMS
2	1	AB463A+160 1 HP rx3660 1P DC 1600MHz-18MB 0GB No disk
2.1	1	AB036A 1 SAS cntrl 8-ch rx3600 UX Win Lin OVMS
2.2	1	AB577A 1 1.6GHz-18MB DC Itanium2 Processor rx3600
2.3	1	AD052A 1 2nd Power supply rx3600 rx6600
2.4	1	AD125A 1 24 DIMM memory board 6 quads rx3600
2.4.1	4	AB563A 4 Memory quad 2GB DDR2 4x512MB rx3600 rx6600
2.5	5	AD140A 5 HP 36GB SAS 10000r disk 2.5" rx3600
2.6	1	AD142A 1 DVD-ROM read only rx3600 rx6600
2.7	1	AD295A 1 I/O 8xPCI-X backplane rx3600
2.7.1	1	A7173A 1 Dual-port Ultra320 SCSI OpenVMS
2.7.2	2	AD331A 2 1000Base-TX Gigabit copper HP-UX,OVMS
3	1	359645-B21 1 MSA30MI Multi Initiator Ultra320 7*7 1"
3.1	10	347708-B21 10 146.8GB 15000r U320 disk 1"

OpenVMS Software Media & Licenses:

Part Number	Qty	Description
BA453AC	2	HP VMS I64 FOE PPL LTV Max2 Sock w/Sys
BA322AA #0D1	1	HP VMS I64 FOE Factory Integrated Media
BA322AA #A24	1	HP VMS I64 FOE Version 8.3 Media
BA322AA #AJR	1	HP VMS I64 FOE DVD Media
BA412AC	4	HP Clusters PCL LTV VMS I64
BA420AA	2	HP Clusters VMS I64 Media
BA453AC	2	HP VMS I64 FOE PPL LTV Max2 Sock w/Sys
BA322AA #0D1	1	HP VMS I64 FOE Factory Integrated Media
BA322AA #A24	1	HP VMS I64 FOE Version 8.3 Media

For HP-UX, Windows and Linux Cluster solutions, please consult your local presales.

Link to the most fresh version of this document:
<http://goldeneggs.spyderbyte.com/geggs/GTMSA30MIb.pdf>

BOM for one optional rx6600 host

Part Number	Qty	Description
1	1	AB464A+180 1 HP rx6600 1P DC 1600MHz-24MB 0GB No disk
1.1	1	AB036A 1 SAS cntrl 8-ch rx3600 UX Win Lin OVMS
1.2	3	AB238A 3 1.6GHz-24MB DC Itanium2 Processor rx6600
1.3	1	AD052A 1 2nd Power supply rx3600 rx6600
1.4	1	AD126A 1 24 DIMM memory board 6 quads rx6600
1.4.1	4	AB564A 4 Memory quad 4GB DDR2 4x1GB rx3600 rx6600
1.5	16	AD141A 16 HP 73GB SAS 10000r disk 2.5" rx3600
1.6	1	AD143A 1 DVD-ROM read-write rx3600 rx6600
1.7	1	AD296A 1 I/O 8xPCI-X backplane rx6600
1.7.1	1	A7173A 1 Dual-port Ultra320 SCSI OpenVMS
1.7.2	1	AB037A 1 2nd SAS cntrl 8-ch rx6600 UX Win Lin OVM
1.7.3	2	AD331A 2 1000Base-TX Gigabit copper HP-UX,OVMS

BOM for one optional rx2660 host

Part Number	Qty	Description
1	1	AB419A+003 1 HP rx2660 1P DC 1600MHz-18MB 0GB No disk
1.1	1	AB577A 1 1.6GHz-18MB DC Itanium2 Pr rx3600 rx2660
1.2	6	AD141A 6 HP 73GB SAS 10000r disk 2.5" rx3600
1.3	1	AD142A 1 DVD-ROM read only rx3600 rx6600
1.4	1	AD246A 1 I/O case 3x PCI-X for rx2660
1.4.1	1	A7173A 1 Dual-port Ultra320 SCSI OpenVMS
1.4.2	2	AD331A 2 1000Base-TX Gigabit copper HP-UX,OVMS
1.5	1	AD254A 1 2nd Power supply rx2660
1.6	2	AD275A 2 Memory HP rx2660 4GB DDR2 2x2GB

Your comments are appreciated.
 Matti.Patari@Kolumbus.Fi GE-Painter.

© 2006 Matti Patari, All rights reserved.

GOLDEN EGGS Visuals™ Helsinki	28-Jan-2007	GTMSA30MIb Matti.Patari@Kolumbus.fi
----------------------------------	-------------	--

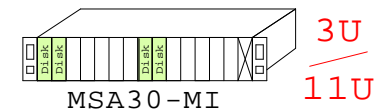
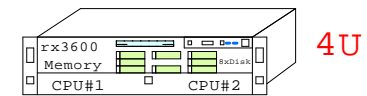
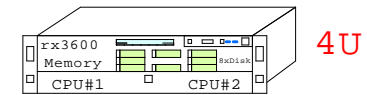
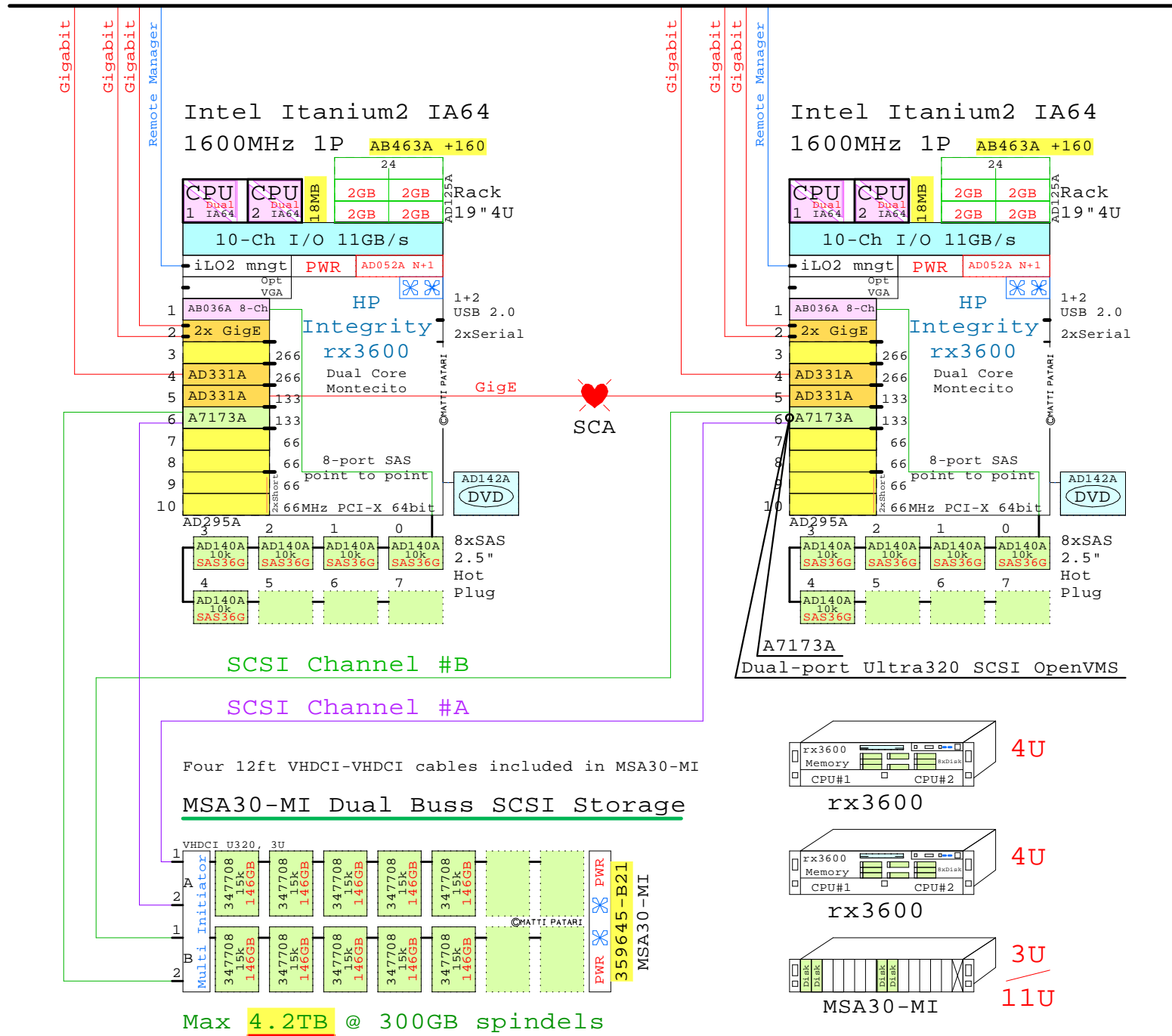
For more detailed configuring, please consult the latest HP QuickSpecs.
 Painted with Golden Eggs Software: 28-Jan-2007
 All trademarks in this document are those of their owners.

<http://goldeneggs.spyderbyte.com/>

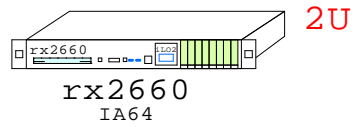
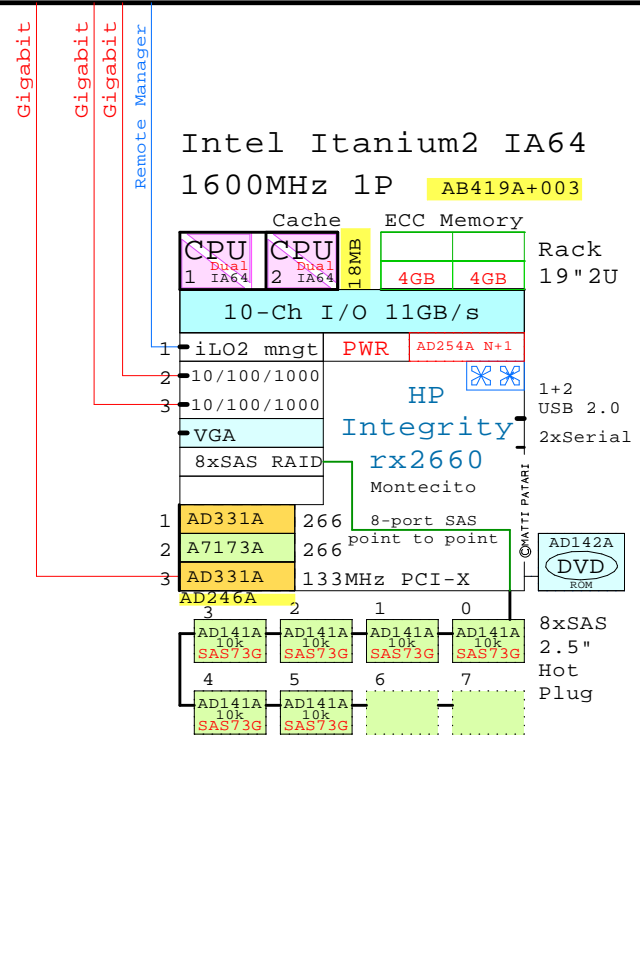
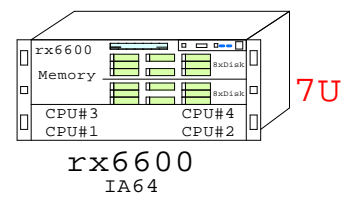
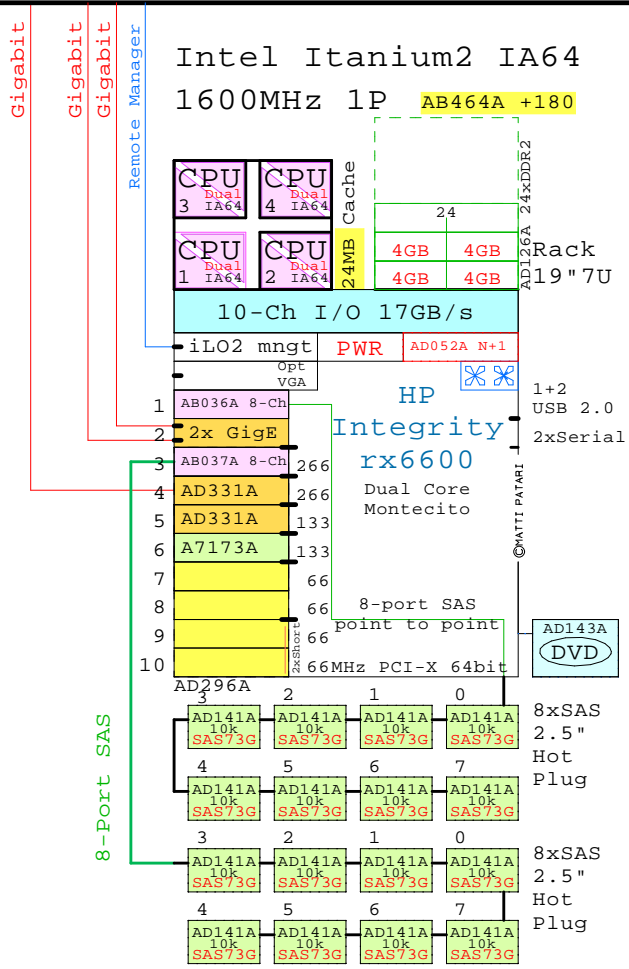
MSA30-MI SCSI

MSA30-MI 2-Node Integrity Cluster
 GOLDEN EGGS Visuals, Helsinki

Integrity rx3660 MSA30-MI SCSI Cluster



Optional rx6600 and rx2660 Cluster Nodes



BOM for rx3600 MSA30-MI SCSI cluster above

Part Number	Qty	Description
1	AB463A+160	1 HP rx3600 1P DC 1600MHz-18MB 0GB No disk
1.1	AB036A	1 SAS cntrl 8-ch rx3600 UX Win Lin OVMS
1.2	AB577A	1 1.6GHz-18MB DC Itanium2 Processor rx3600
1.3	AD052A	1 2nd Power supply rx3600 rx6600
1.4	AD125A	1 24 DIMM memory board 6 quads rx3600
1.4.1	AB563A	4 Memory quad 2GB DDR2 4x512MB rx3600 rx66
1.5	AD140A	5 HP 36GB SAS 10000r disk 2.5" rx3600
1.6	AD142A	1 DVD-ROM read only rx3600 rx6600
1.7	AD295A	1 I/O 8xPCI-X backplane rx3600
1.7.1	A7173A	1 Dual-port Ultra320 SCSI OpenVMS
1.7.2	AD331A	2 1000Base-TX Gigabit copper HP-UX,OVMS
2	AB463A+160	1 HP rx3600 1P DC 1600MHz-18MB 0GB No disk
2.1	AB036A	1 SAS cntrl 8-ch rx3600 UX Win Lin OVMS
2.2	AB577A	1 1.6GHz-18MB DC Itanium2 Processor rx3600
2.3	AD052A	1 2nd Power supply rx3600 rx6600
2.4	AD125A	1 24 DIMM memory board 6 quads rx3600
2.4.1	AB563A	4 Memory quad 2GB DDR2 4x512MB rx3600 rx66
2.5	AD140A	5 HP 36GB SAS 10000r disk 2.5" rx3600
2.6	AD142A	1 DVD-ROM read only rx3600 rx6600
2.7	AD295A	1 I/O 8xPCI-X backplane rx3600
2.7.1	A7173A	1 Dual-port Ultra320 SCSI OpenVMS
2.7.2	AD331A	2 1000Base-TX Gigabit copper HP-UX,OVMS
3	359645-B21	1 MSA30MI Multi Initiator Ultra320 7+7 1"
3.1	347708-B21	10 146.8GB 15000r U320 disk 1"

OpenVMS Software Media & Licenses:

Part Number	Qty	Description
BA453AC	2	HP VMS I64 FOE PPL LTU Max2 Sock w/Sys
BA322AA #0D1	1	HP VMS I64 FOE Factory Integrated Media
BA322AA #A24	1	HP VMS I64 FOE Version 8.3 Media
BA322AA #AJR	1	HP VMS I64 FOE DVD Media
BA412AC	4	HP Clusters PCL LTU VMS I64
BA420AA	2	HP Clusters VMS I64 Media
BA453AC	2	HP VMS I64 FOE PPL LTU Max2 Sock w/Sys
BA322AA #0D1	1	HP VMS I64 FOE Factory Integrated Media
BA322AA #A24	1	HP VMS I64 FOE Version 8.3 Media

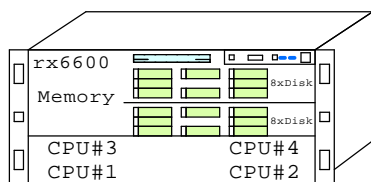
For HP-UX, Windows and Linux Cluster solutions, please consult your local presales.

Link to the most fresh version of this document:
<http://goldeneggs.spyderbyte.com/geggs/GTMSA30MIb.pdf>

storage hardware graph scsi pci
 server virtual msa opid computing
 diagram rocks amd64 ia32 x64 pdr
 em64t linux my visio processor
 opteron cluster ic-series ia32e
 getany x86 32-64 64-32 133mhz
 x86_64 pci-x hypertransport dual
 goldeneggs redhat template core

For more detailed configuring, please consult the latest HP QuickSpecs.
 Painted with Golden Eggs Software: 28-Jan-2007
 All trademarks in this document are those of their owners.

<http://goldeneggs.spyderbyte.com/> **MSA30-MI**



rx6600
IA64

7U

BOM for one optional rx6600 host

	Part Number	Qty	Description
1	AB464A+180	1	HP rx6600 1P DC 1600MHz-24MB 0GB No disk
1.1	AB036A	1	SAS cntrl 8-ch rx3600 UX Win Lin OVMS
1.2	AB238A	3	1.6GHz-24MB DC Itanium2 Processor rx6600
1.3	AD052A	1	2nd Power supply rx3600 rx6600
1.4	AD126A	1	24 DIMM memory board 6 quads rx6600
1.4.1	AB564A	4	Memory quad 4GB DDR2 4x1GB rx3600 rx6600
1.5	AD141A	16	HP 73GB SAS 10000r disk 2.5" rx3600
1.6	AD143A	1	DVD-ROM read-write rx3600 rx6600
1.7	AD296A	1	I/O 8xPCI-X backplane rx6600
1.7.1	A7173A	1	Dual-port Ultra320 SCSI OpenVMS
1.7.2	AB037A	1	2nd SAS cntrl 8-ch rx6600 UX Win Lin OVM
1.7.3	AD331A	2	1000Base-TX Gigabit copper HP-UX,OVMS



rx2660
IA64

2U

BOM for one optional rx2660 host

	Part Number	Qty	Description
1	AB419A+003	1	HP rx2660 1P DC 1600MHz-18MB 0GB No disk
1.1	AB577A	1	1.6GHz-18MB DC Itanium2 Pr rx3600 rx2660
1.2	AD141A	6	HP 73GB SAS 10000r disk 2.5" rx3600
1.3	AD142A	1	DVD-ROM read only rx3600 rx6600
1.4	AD246A	1	I/O cage 3x PCI-X for rx2660
1.4.1	A7173A	1	Dual-port Ultra320 SCSI OpenVMS
1.4.2	AD331A	2	1000Base-TX Gigabit copper HP-UX,OVMS
1.5	AD254A	1	2nd Power supply rx2660
1.6	AD275A	2	Memory HP rx2660 4GB DDR2 2x2GB

<http://goldeneggs.spyderbyte.com/>

Your comments are appreciated.

Matti.Patari@Kolumbus.Fi GE-Painter.

© 2006 Matti Patari, All rights reserved.

GOLDEN EGGS
Visuals™
Helsinki

28-Jan-2007

GTMSA30MIb

Matti.Patari@Kolumbus.fi

MSA30-MI SCSI

MSA30-MI 2-Node Integrity Cluster
GOLDEN EGGS Visuals, Helsinki